

EVAPCO, INC.

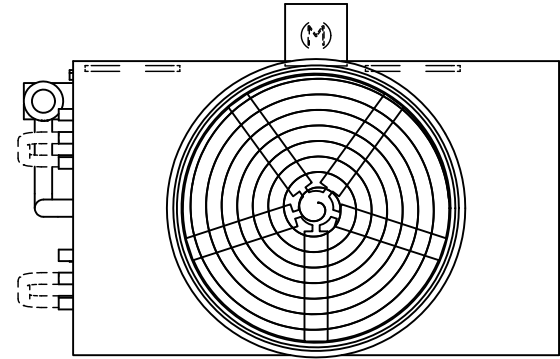


| | | | | | | |
|-------------------------------|-------------------------------|-----------------|-----------------------------|-----------|-------------------|----------|
| UNIT EVAPORATIVE CONDENSER | MODEL # ATC-DC-914J-35-1EF | SCALE N.T.S. | DWG. # EGCH091402-DRC-ST | REV. - | DATE 6/19/2026 | SERIAL # |
|-------------------------------|-------------------------------|-----------------|-----------------------------|-----------|-------------------|----------|

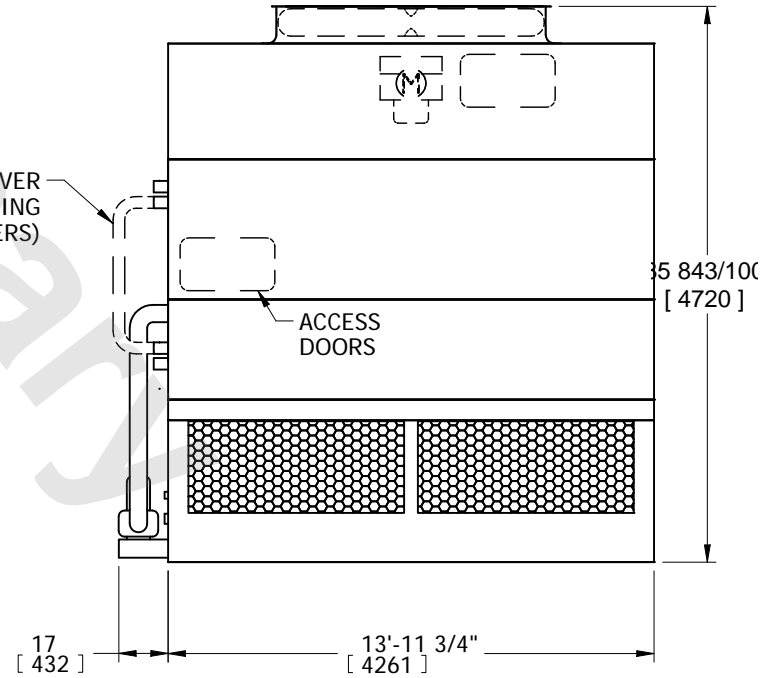
- NOTES:
- (M)- FAN MOTOR LOCATION
 - HEAVIEST SECTION IS COIL SECTION
 - MPT DENOTES MALE PIPE THREAD
FPT DENOTES FEMALE PIPE THREAD
BFW DENOTES BEVELED FOR WELDING
 - +UNIT WEIGHT DOES NOT INCLUDE ACCESSORIES (SEE ACCESSORY DRAWINGS)
 - MAKE-UP WATER PRESSURE
20 psi MIN [137 kPa], 50 psi MAX [344 kPa]

- DIMENSIONS LISTED AS FOLLOWS:
ENGLISH IN
[METRIC] [mm]
- * - APPROXIMATE DIMENSIONS DO NOT USE FOR PRE-FABRICATION OF CONNECTING PIPING.

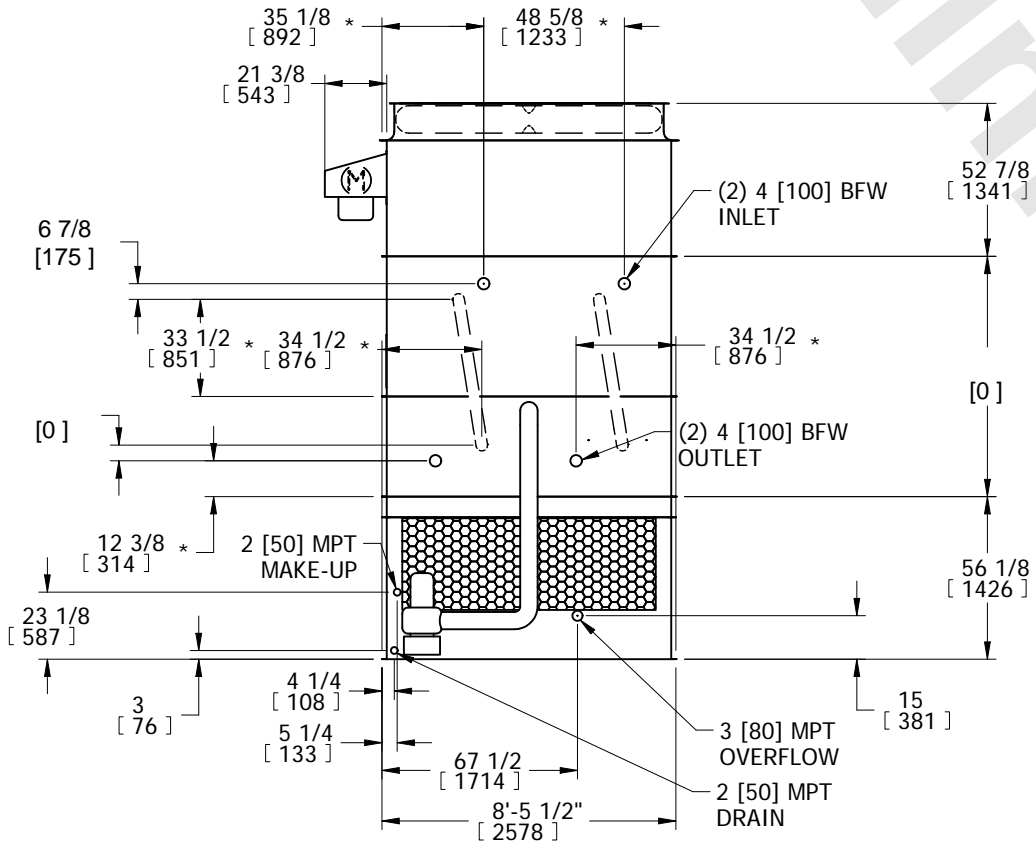
**FACE 2
PLAN VIEW**



FACE 1



FACE 1



FACE 2

| | | | | |
|--|---|--|-------------------------------|------------------|
| SHIPPING WEIGHT 15800 lbs+ [7170] kg+ | OPERATING WEIGHT 20270 lbs+ [9195] kg+ | HEAVIEST SECTION WEIGHT 11160 lbs+ [5065] kg+ | NO. OF SHIPPING SECTIONS 3 | DRAWN BY: SFR |
|--|---|--|-------------------------------|------------------|