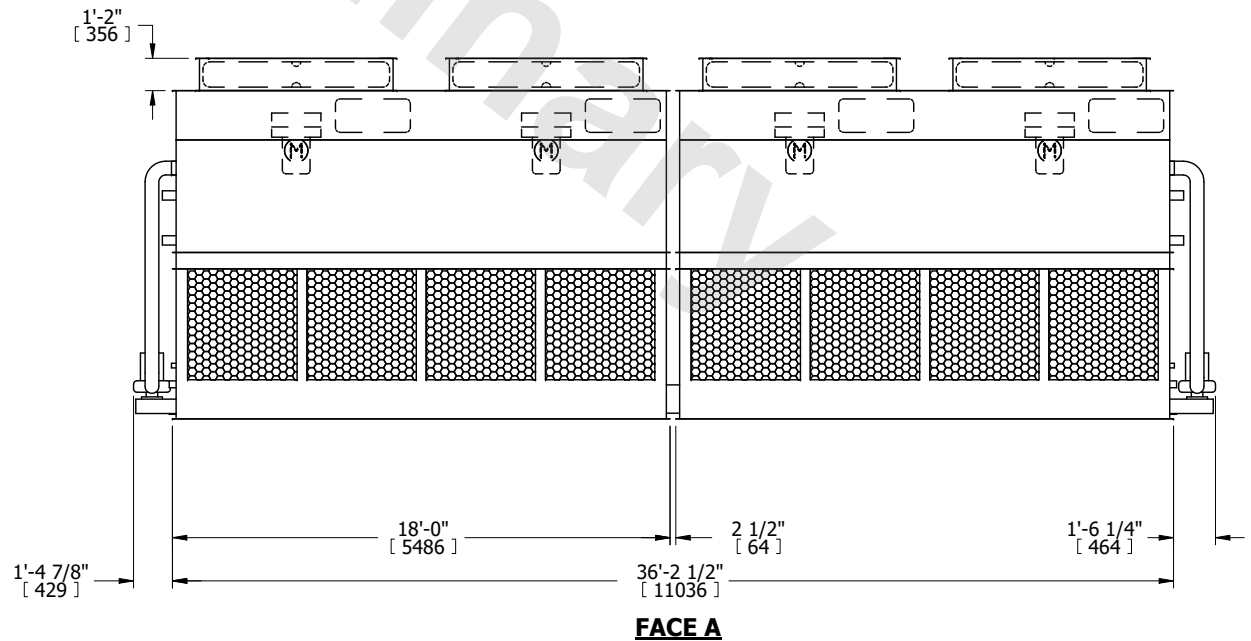
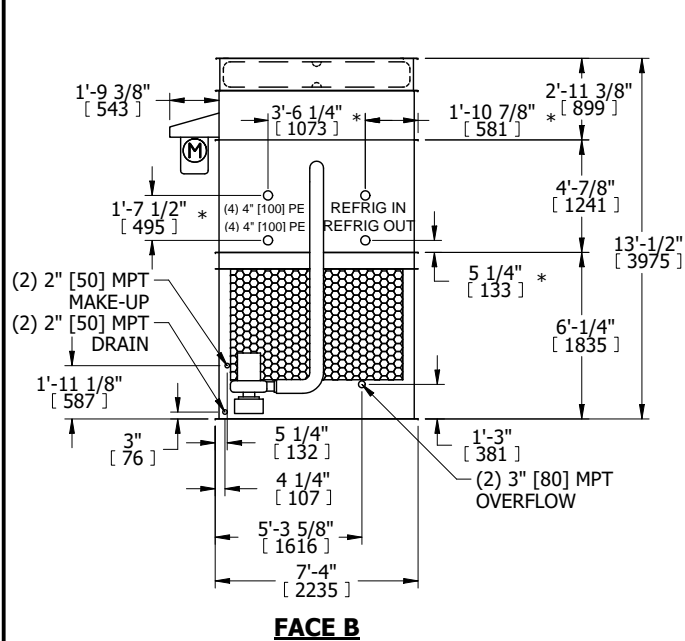
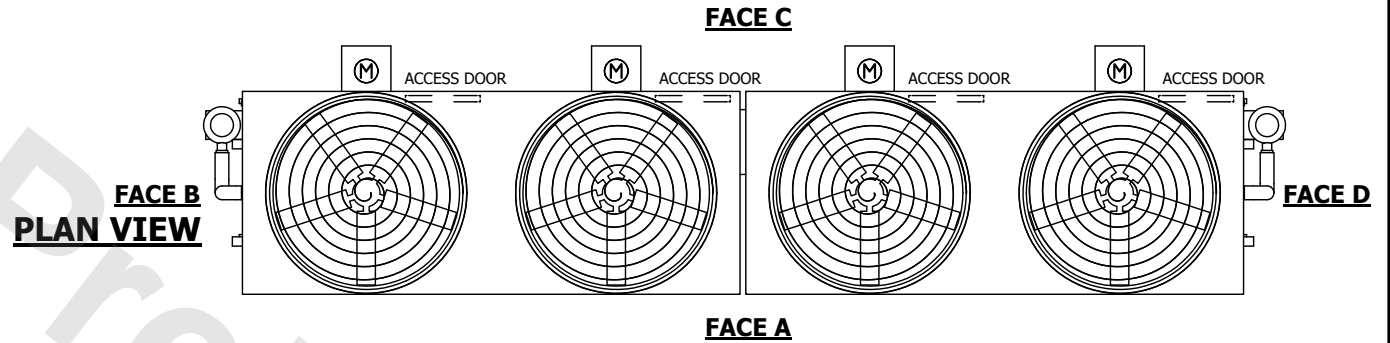


UNIT	CONDENSER	
MODEL #	ATC-772E	SCALE NTS



DWG. #	CW4C073606-DRA-ST	REV.	-
SERIAL #		DATE	5/17/2026

- NOTES:
- (M)- FAN MOTOR LOCATION
 - HEAVIEST SECTION IS FAN/CASING SECTION
 - MPT DENOTES MALE PIPE THREAD
FPT DENOTES FEMALE PIPE THREAD
BFW DENOTES BEVELED FOR WELDING
GVD DENOTES GROOVED
FLG DENOTES FLANGE
PE DENOTES PLAIN END
 - +UNIT WEIGHT DOES NOT INCLUDE ACCESSORIES (SEE ACCESSORY DRAWINGS)
 - MAKE-UP WATER PRESSURE
20 psi MIN [137 kPa], 50 psi MAX [344 kPa]
 - *-APPROXIMATE DIMENSIONS DO NOT USE FOR PRE-FABRICATION OF CONNECTING PIPING
 - 3/4" [19mm] DIA. MOUNTING HOLES. REFER TO RECOMMENDED STEEL SUPPORT DRAWING.
 - DIMENSIONS LISTED AS FOLLOWS:
ENGLISH FT-IN
METRIC [mm]



SHIPPING WEIGHT	141500 lbs+ [18825] kg+	OPERATING WEIGHT	45730 lbs+ [20745] kg+	HEAVIEST SECTION WEIGHT	14950 lbs+ [6785] kg+	NO. OF SHIPPING SECTIONS	4	DRAWN BY:	TAM
-----------------	-------------------------	------------------	------------------------	-------------------------	-----------------------	--------------------------	---	-----------	-----