

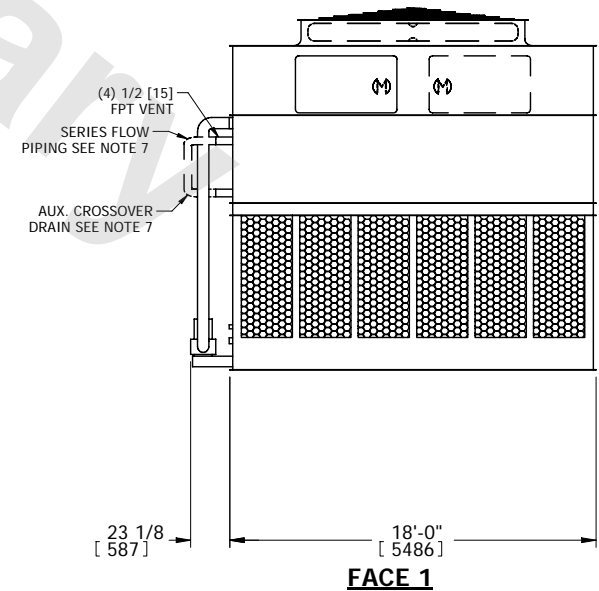
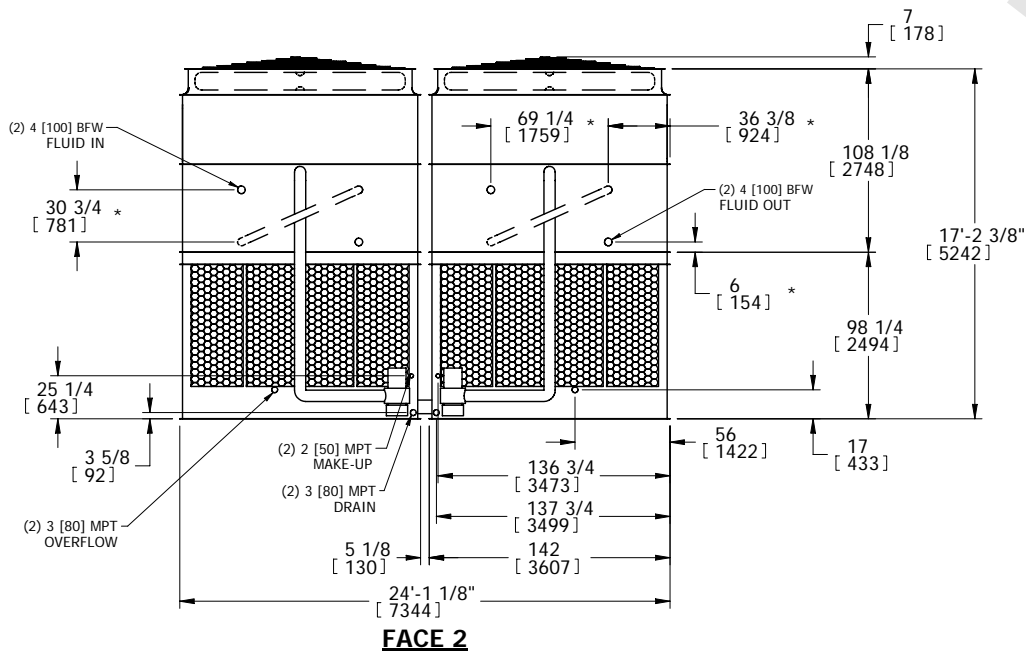
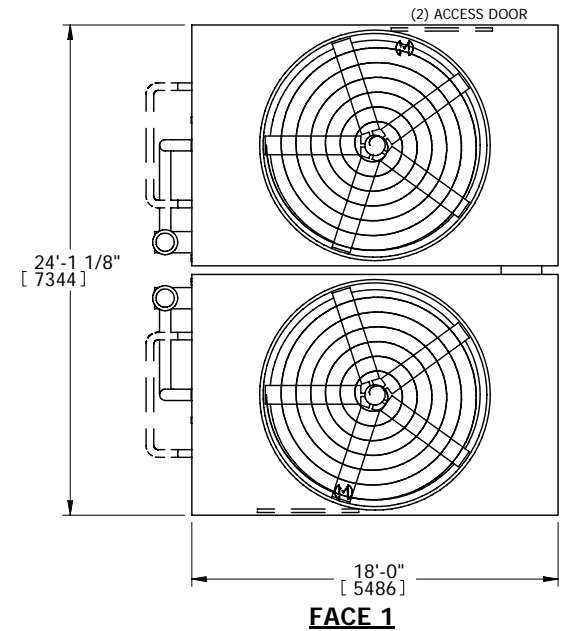
# EVAPCO, INC.



UNIT <b>CLOSED CIRCUIT COOLER</b>	MODEL # <b>ATWB 24-4N18-Z</b>	SCALE	DWG. # <b>WB3241808-DRA-SF</b>	REV.	DATE <b>4/28/2026</b>	SERIAL #
--------------------------------------	----------------------------------	-------	-----------------------------------	------	--------------------------	----------

- NOTES:
- (M)- FAN MOTOR LOCATION
  - HEAVIEST SECTION IS UPPER SECTION
  - MPT DENOTES MALE PIPE THREAD  
FPT DENOTES FEMALE PIPE THREAD  
BFW DENOTES BEVELED FOR WELDING
  - +UNIT WEIGHT DOES NOT INCLUDE ACCESSORIES (SEE ACCESSORY DRAWINGS)
  - MAKE-UP WATER PRESSURE  
20 psi MIN [137 kPa], 50 psi MAX [344 kPa]
  - \* -APPROXIMATE DIMENSIONS DO NOT USE FOR PRE-FABRICATION OF CONNECTING PIPING
  - SERIES FLOW PIPING AND AUX. CROSSOVER DRAIN BY OTHERS.

## FACE 2 PLAN VIEW



SHIPPING WEIGHT <b>47880 lbs+ [21718] kg+</b>	OPERATING WEIGHT <b>76220 lbs+ [34573] kg+</b>	HEAVIEST SECTION WEIGHT <b>20020 lbs+ [9081] kg+</b>	NO. OF SHIPPING SECTIONS <b>4</b>
--------------------------------------------------	---------------------------------------------------	---------------------------------------------------------	--------------------------------------