

EVAPCO, INC.

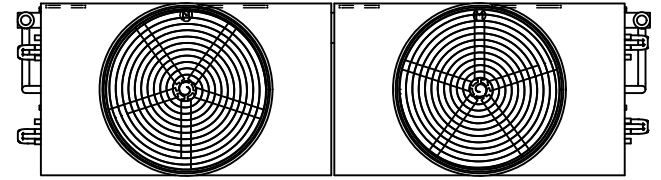


| | | | | | | |
|-------------------------------|-----------------------------------|-----------------|----------------------------|-----------|-------------------|----------|
| UNIT CLOSED CIRCUIT COOLER | MODEL # eco-ATWB-H 12-1O40-U22 | SCALE N.T.S. | DWG. # EGH124002-DRD-ST | REV. - | DATE 6/21/2026 | SERIAL # |
|-------------------------------|-----------------------------------|-----------------|----------------------------|-----------|-------------------|----------|

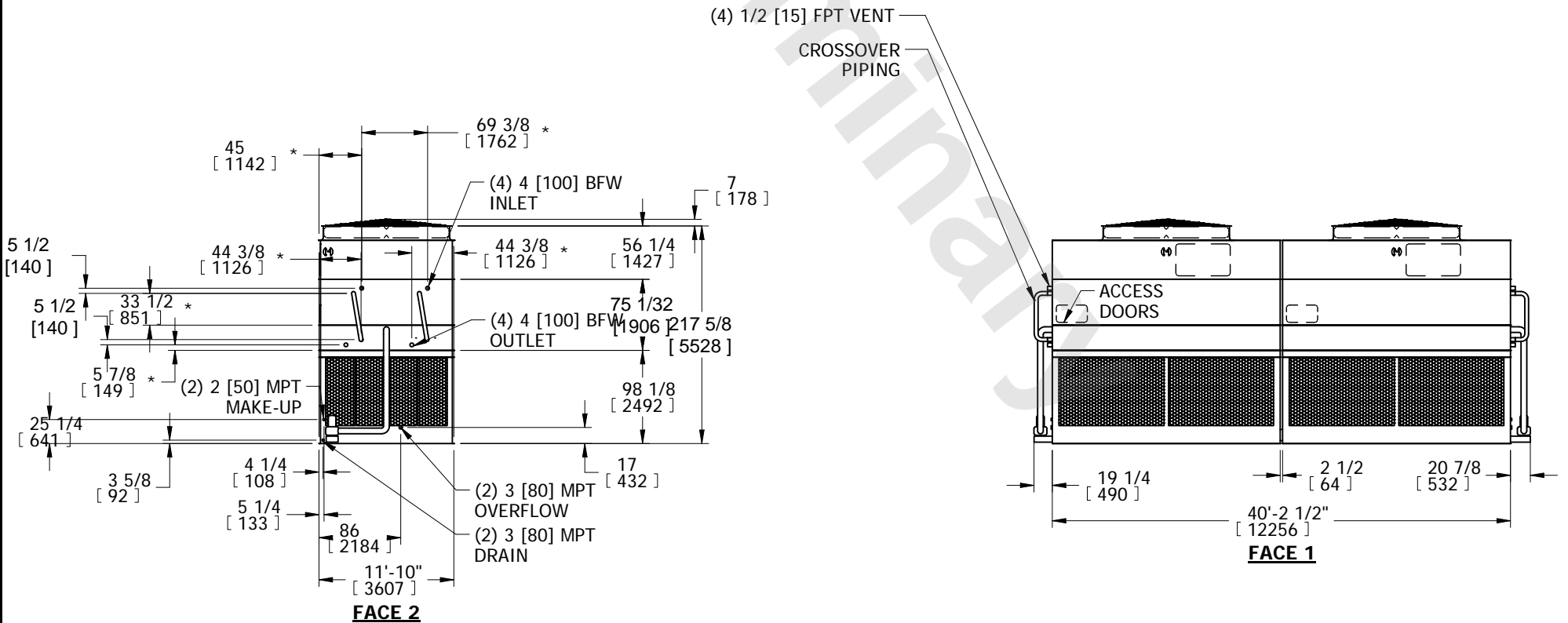
- NOTES:
- (M)- FAN MOTOR LOCATION
 - HEAVIEST SECTION IS COIL SECTION
 - MPT DENOTES MALE PIPE THREAD
FPT DENOTES FEMALE PIPE THREAD
BFW DENOTES BEVELED FOR WELDING
 - +UNIT WEIGHT DOES NOT INCLUDE ACCESSORIES (SEE ACCESSORY DRAWINGS)
 - MAKE-UP WATER PRESSURE
20 psi MIN [137 kPa], 50 psi MAX [344 kPa]

- DIMENSIONS LISTED AS FOLLOWS:
ENGLISH IN
[METRIC] [mm]
- * - APPROXIMATE DIMENSIONS DO NOT USE FOR PRE-FABRICATION OF CONNECTING PIPING.

**FACE 2
PLAN VIEW**



FACE 1



| | | | | |
|---|--|--|-------------------------------|------------------|
| SHIPPING WEIGHT 47030 lbs+ [21335] kg+ | OPERATING WEIGHT 68130 lbs+ [30905] kg+ | HEAVIEST SECTION WEIGHT 13860 lbs+ [6285] kg+ | NO. OF SHIPPING SECTIONS 6 | DRAWN BY: SFR |
|---|--|--|-------------------------------|------------------|