

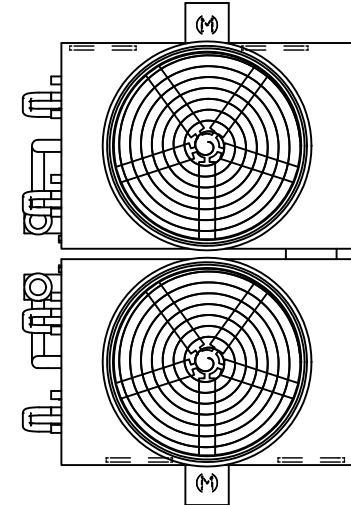
EVAPCO, INC.



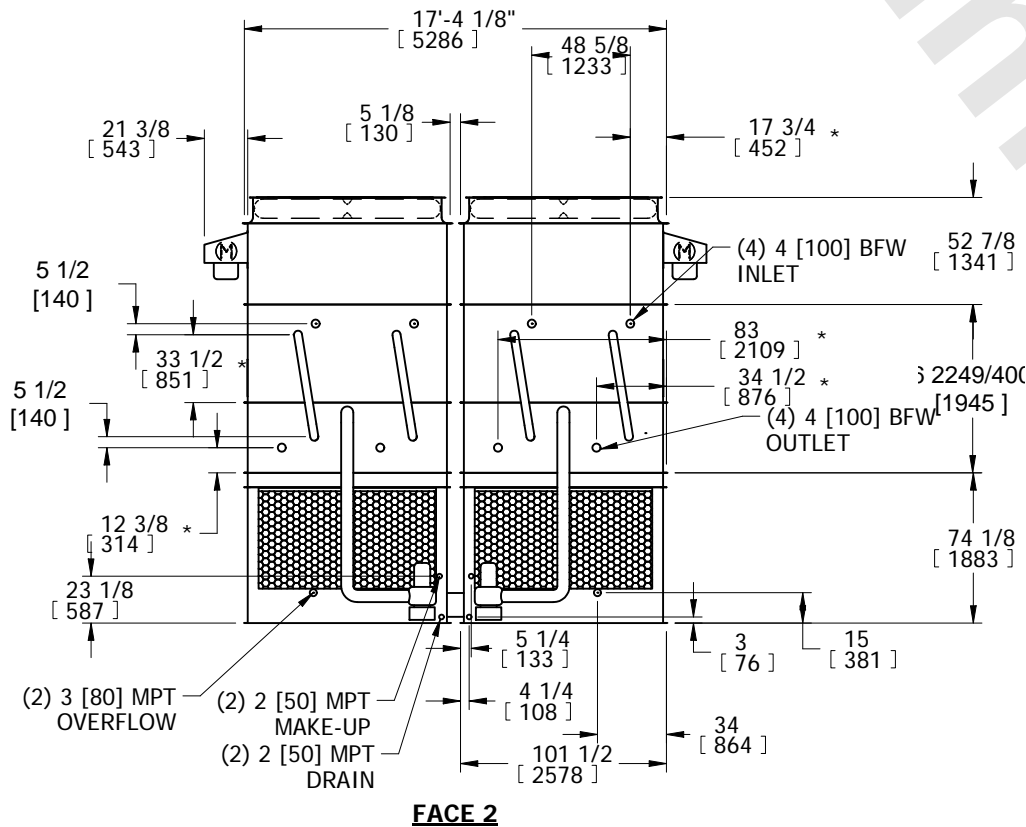
| | | | | | | |
|-------------------------------|-----------------------------------|-----------------|----------------------------|-----------|-------------------|----------|
| UNIT CLOSED CIRCUIT COOLER | MODEL # eco-ATWB-H 17-1J12-U12 | SCALE N.T.S. | DWG. # EGH171202-DRD-ST | REV. - | DATE 6/22/2026 | SERIAL # |
|-------------------------------|-----------------------------------|-----------------|----------------------------|-----------|-------------------|----------|

- NOTES:
- (M)- FAN MOTOR LOCATION
 - HEAVIEST SECTION IS COIL SECTION
 - MPT DENOTES MALE PIPE THREAD
FPT DENOTES FEMALE PIPE THREAD
BFW DENOTES BEVELED FOR WELDING
 - +UNIT WEIGHT DOES NOT INCLUDE ACCESSORIES (SEE ACCESSORY DRAWINGS)
 - MAKE-UP WATER PRESSURE
20 psi MIN [137 kPa], 50 psi MAX [344 kPa]

- DIMENSIONS LISTED AS FOLLOWS:
ENGLISH IN
[METRIC] [mm]
- * - APPROXIMATE DIMENSIONS DO NOT USE FOR PRE-FABRICATION OF CONNECTING PIPING.



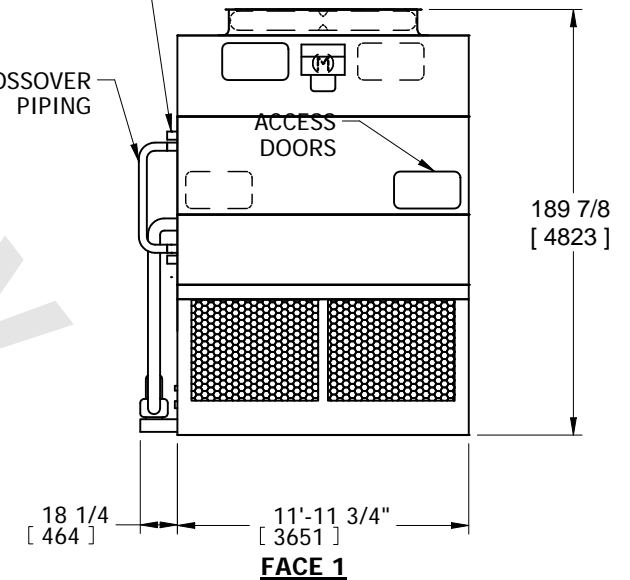
**FACE 2
PLAN VIEW**



(4) 1/2 [15] FPT VENT

CROSSOVER PIPING

FACE 1



| | | | | |
|--|--|---|-------------------------------|------------------|
| SHIPPING WEIGHT 19650 lbs+ [8915] kg+ | OPERATING WEIGHT 27990 lbs+ [12700] kg+ | HEAVIEST SECTION WEIGHT 5540 lbs+ [2510] kg+ | NO. OF SHIPPING SECTIONS 6 | DRAWN BY: SFR |
|--|--|---|-------------------------------|------------------|