

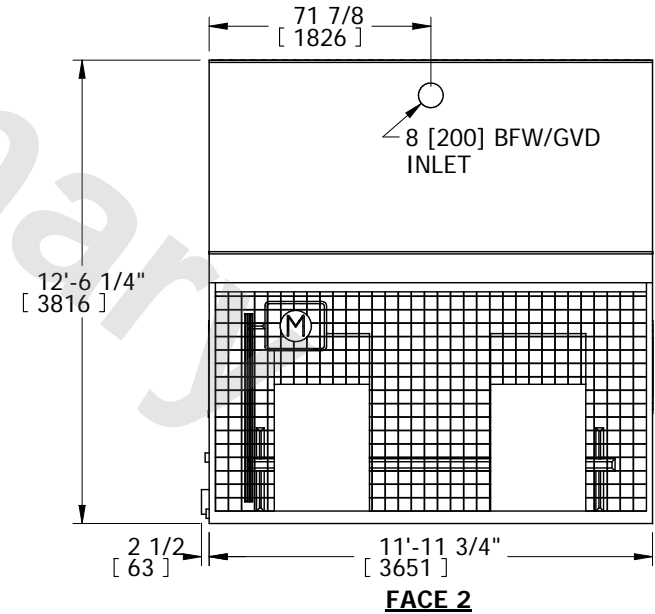
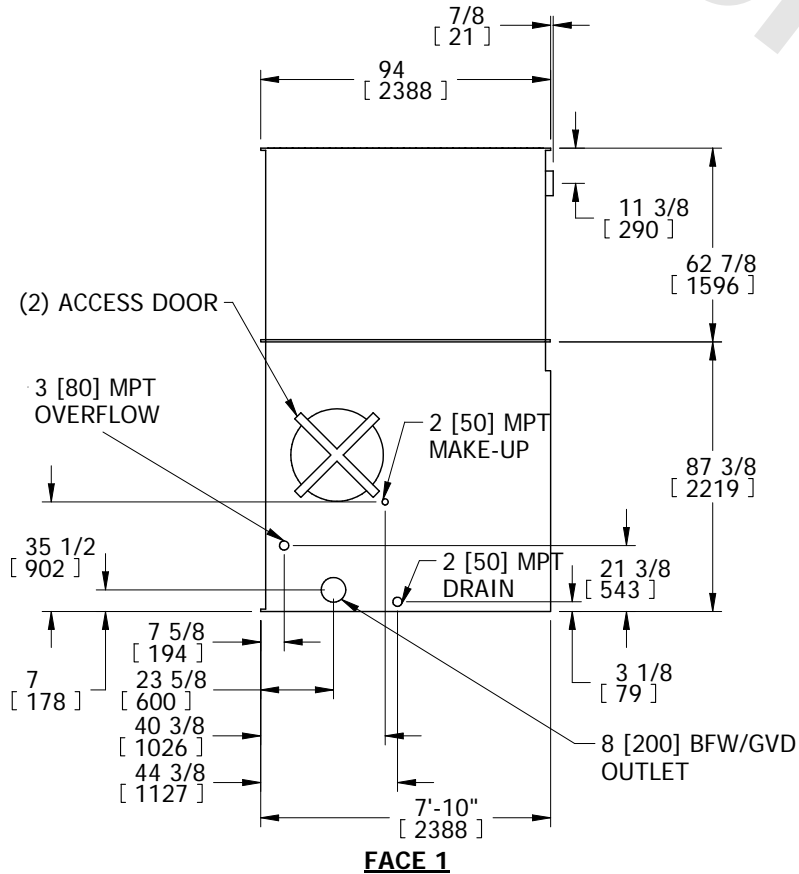
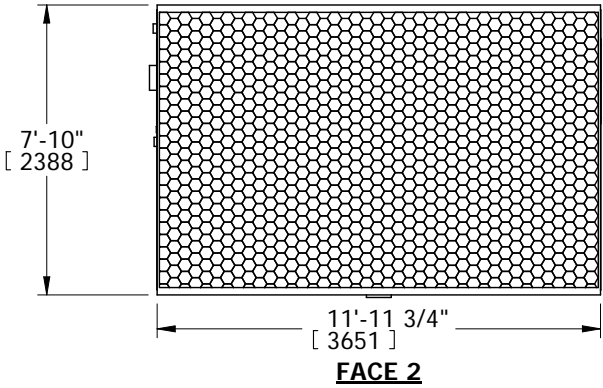
# EVAPCO, INC.



|                              |                        |                 |                            |           |                   |          |
|------------------------------|------------------------|-----------------|----------------------------|-----------|-------------------|----------|
| UNIT<br><b>COOLING TOWER</b> | MODEL #<br>LSTE-8P112U | SCALE<br>N.T.S. | DWG. #<br>TLEOP1224-DRA-ST | REV.<br>- | DATE<br>5/25/2026 | SERIAL # |
|------------------------------|------------------------|-----------------|----------------------------|-----------|-------------------|----------|

- NOTES:
- (M)- FAN MOTOR LOCATION
  - HEAVIEST SECTION IS LOWER SECTION
  - MPT DENOTES MALE PIPE THREAD  
FPT DENOTES FEMALE PIPE THREAD  
BFW DENOTES BEVELED FOR WELDING  
GVD DENOTES GROOVED FOR VICTAULIC
  - +UNIT WEIGHT DOES NOT INCLUDE ACCESSORIES (SEE ACCESSORY DRAWINGS)
  - MAKE-UP WATER PRESSURE  
20 psi MIN [137 kPa], 50 psi MAX [344 kPa]
  - 3/4" [19mm] DIA. MOUNTING HOLES. REFER TO RECOMMENDED STEEL SUPPORT DRAWING
  - DIMENSIONS LISTED AS FOLLOWS: ENGLISH IN [METRIC] [mm]

**FACE 1  
PLAN VIEW**



|   |  |   |                               |
|---|--|---|-------------------------------|
| SHIPPING WEIGHT<br>5710 lbs+ [2590] kg+ | OPERATING WEIGHT<br>9190 lbs+ [4169] kg+ | HEAVIEST SECTION WEIGHT<br>3590 lbs+ [1628] kg+ | NO. OF SHIPPING SECTIONS<br>2 |
|---|--|---|-------------------------------|