

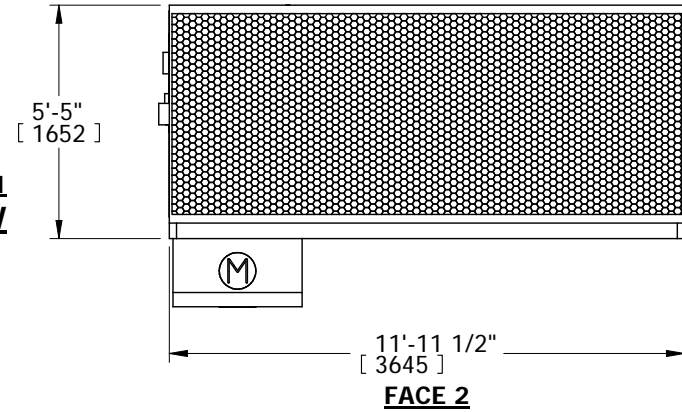
EVAPCO, INC.



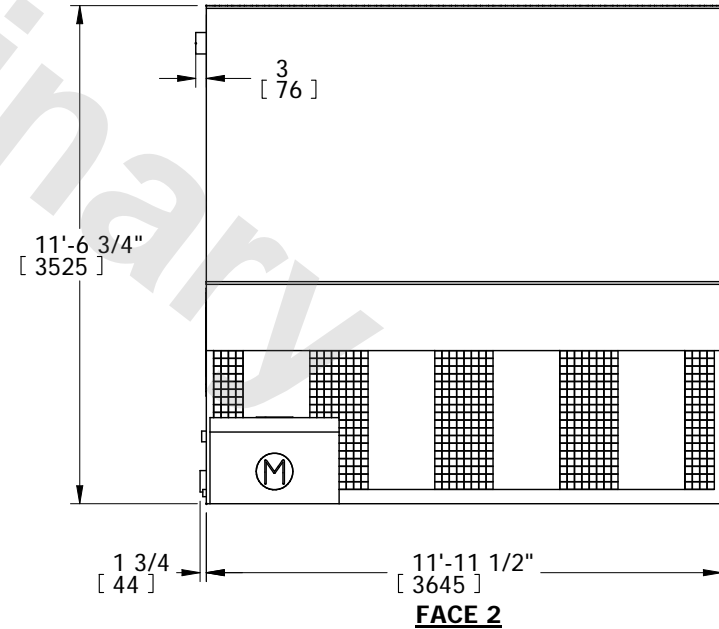
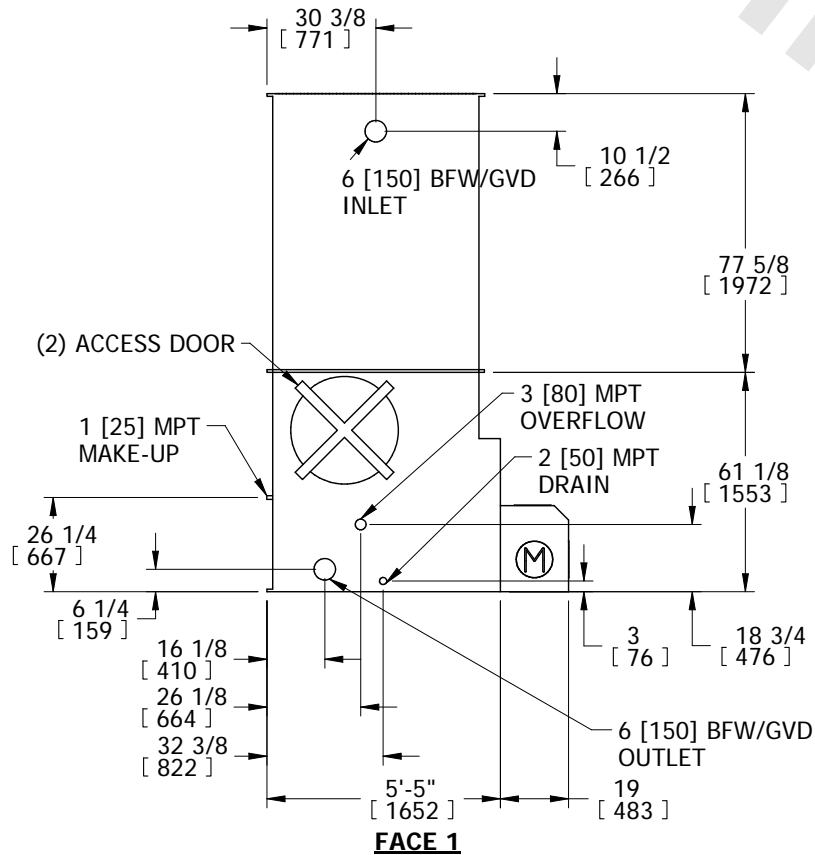
| | | | | | | |
|------------------------------|-----------------------|-----------------|----------------------------|-----------|-------------------|----------|
| UNIT COOLING TOWER | MODEL # LSTE-5212L | SCALE N.T.S. | DWG. # TLE051236-DRA-ST | REV. - | DATE 5/25/2026 | SERIAL # |
|------------------------------|-----------------------|-----------------|----------------------------|-----------|-------------------|----------|

- NOTES:
- (M)- FAN MOTOR LOCATION
 - HEAVIEST SECTION IS LOWER SECTION
 - MPT DENOTES MALE PIPE THREAD
FPT DENOTES FEMALE PIPE THREAD
BFW DENOTES BEVELED FOR WELDING
GVD DENOTES GROOVED FOR VICTAULIC
 - +UNIT WEIGHT DOES NOT INCLUDE ACCESSORIES (SEE ACCESSORY DRAWINGS)
 - MAKE-UP WATER PRESSURE
20 psi MIN [137 kPa], 50 psi MAX [344 kPa]
 - 3/4" [19mm] DIA. MOUNTING HOLES. REFER TO RECOMMENDED STEEL SUPPORT DRAWING
 - DIMENSIONS LISTED AS FOLLOWS: ENGLISH IN [METRIC] [mm]
 - MAKE-UP CONNECTION LOCATED 33" FROM CONNECTION END OF UNIT

**FACE 1
PLAN VIEW**



FACE 2



| | | | |
|---|--|---|-------------------------------|
| SHIPPING WEIGHT 4400 lbs+ [1996] kg+ | OPERATING WEIGHT 6520 lbs+ [2957] kg+ | HEAVIEST SECTION WEIGHT 2650 lbs+ [1202] kg+ | NO. OF SHIPPING SECTIONS 2 |
|---|--|---|-------------------------------|