

| | | |
|---------|----------------------|-------|
| UNIT | COOLING TOWER | |
| MODEL # | AXS 14-11J24 | SCALE |

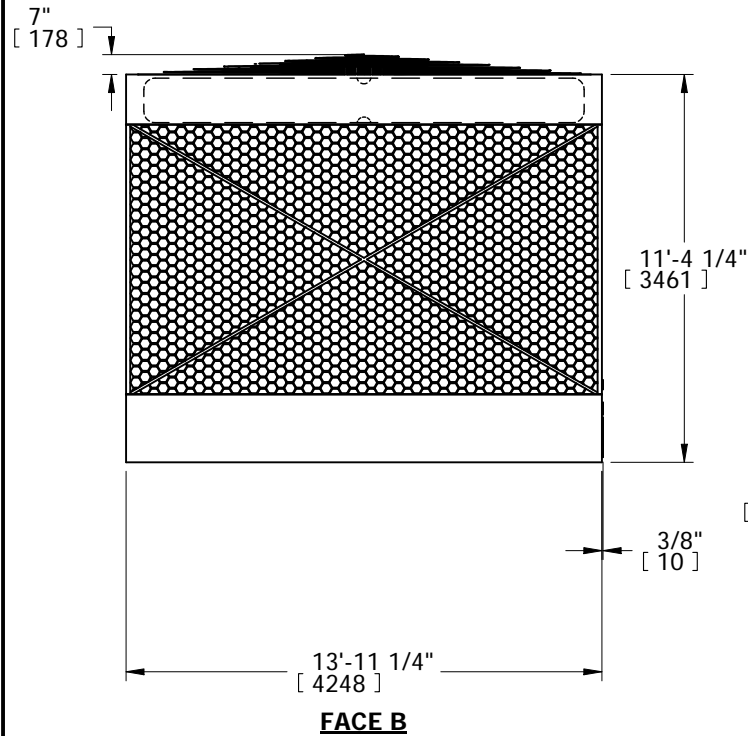
EVAPCO, INC.



| | | | |
|----------|-----------------|------|-----------|
| DWG. # | AX142409-DRA-ST | REV. | - |
| SERIAL # | | DATE | 6/25/2026 |

- NOTES:
- (M)- FAN MOTOR LOCATION
 - MPT DENOTES MALE PIPE THREAD
FPT DENOTES FEMALE PIPE THREAD
BFW DENOTES BEVELED FOR WELDING
GVD DENOTES GROOVED
 - +UNIT WEIGHT DOES NOT INCLUDE ACCESSORIES (SEE ACCESSORY DRAWINGS)
 - MAKE-UP WATER PRESSURE
20 psi MIN [137 kPa], 50 psi MAX [344 kPa]
 - 3/4" DIA. MOUNTING HOLES. REFER TO RECOMMENDED STEEL SUPPORT DRAWING.
 - DIMENSIONS LISTED AS FOLLOWS: ENGLISH IN [METRIC] [mm]

**FACE B
PLAN VIEW**

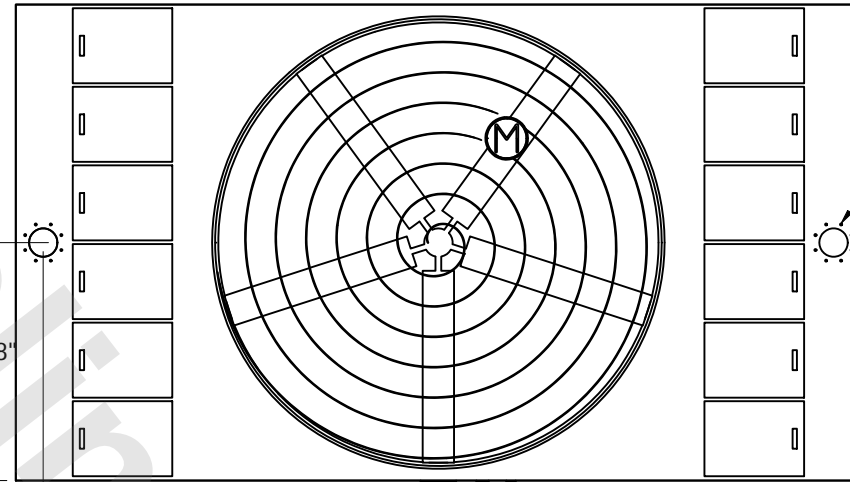


6'-11 5/8"
[2124]

9 5/8"
[245]

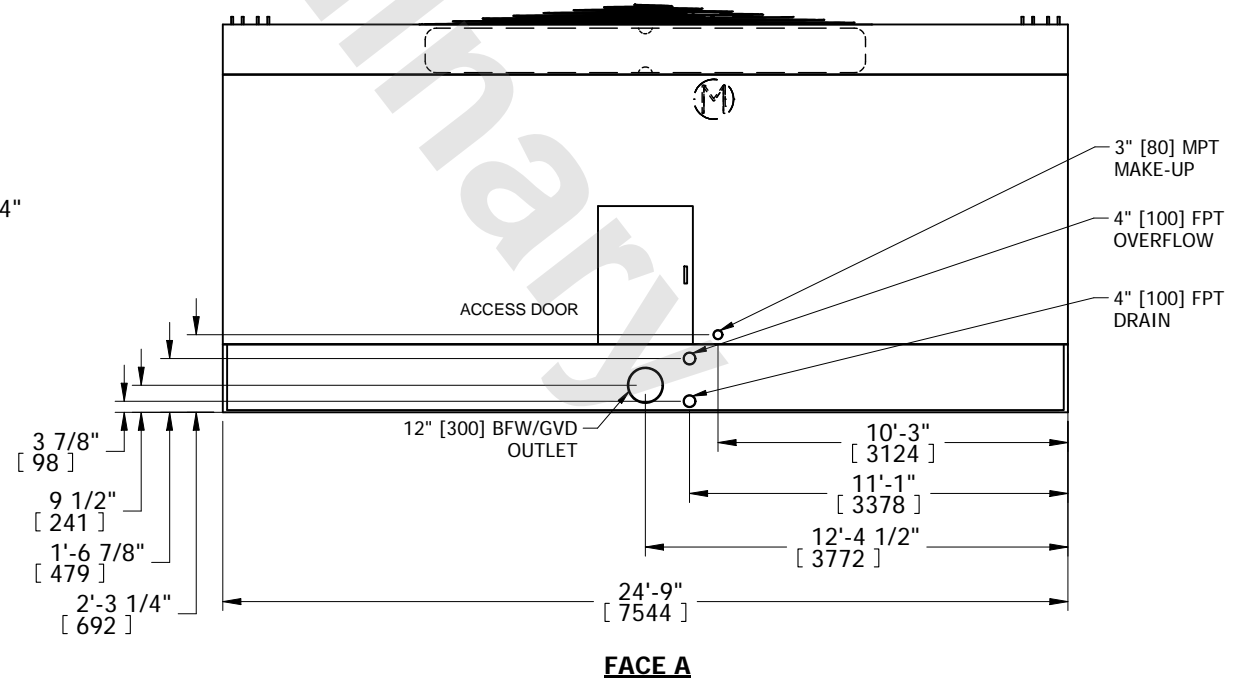
FACE C

ACCESS DOOR



(2) 10" [250] ASME
150 BOLT PATTERN
INLET
FACE D

FACE A



3" [80] MPT
MAKE-UP
4" [100] FPT
OVERFLOW
4" [100] FPT
DRAIN

12" [300] BFW/GVD
OUTLET

3 7/8"
[98]
9 1/2"
[241]
1'-6 7/8"
[479]
2'-3 1/4"
[692]

10'-3"
[3124]
11'-1"
[3378]
12'-4 1/2"
[3772]

FACE A

| | | | | | | | | | |
|-----------------|-----------------------|------------------|------------------------|-----------------------|-----------------------|--------------------------|---|-----------|-----|
| SHIPPING WEIGHT | 14290 lbs+ [6485] kg+ | OPERATING WEIGHT | 32210 lbs+ [14615] kg+ | HEIEST SECTION WEIGHT | 14290 lbs+ [6485] kg+ | NO. OF SHIPPING SECTIONS | 1 | DRAWN BY: | SLR |
|-----------------|-----------------------|------------------|------------------------|-----------------------|-----------------------|--------------------------|---|-----------|-----|