

UNIT	COOLING TOWER	
MODEL #	AXS 14-11K24	SCALE

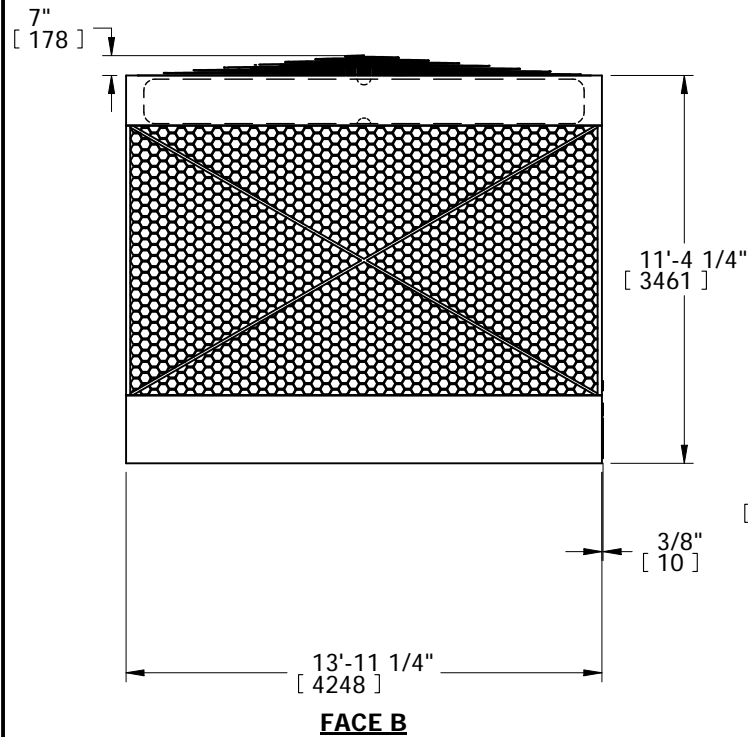
EVAPCO, INC.



DWG. #	AX142409-DRA-ST	REV.	-
SERIAL #		DATE	4/29/2026

- NOTES:
- (M)- FAN MOTOR LOCATION
 - MPT DENOTES MALE PIPE THREAD
FPT DENOTES FEMALE PIPE THREAD
BFW DENOTES BEVELED FOR WELDING
GVD DENOTES GROOVED
 - +UNIT WEIGHT DOES NOT INCLUDE ACCESSORIES (SEE ACCESSORY DRAWINGS)
 - MAKE-UP WATER PRESSURE
20 psi MIN [137 kPa], 50 psi MAX [344 kPa]
 - 3/4" DIA. MOUNTING HOLES. REFER TO RECOMMENDED STEEL SUPPORT DRAWING.
 - DIMENSIONS LISTED AS FOLLOWS: ENGLISH IN [METRIC] [mm]

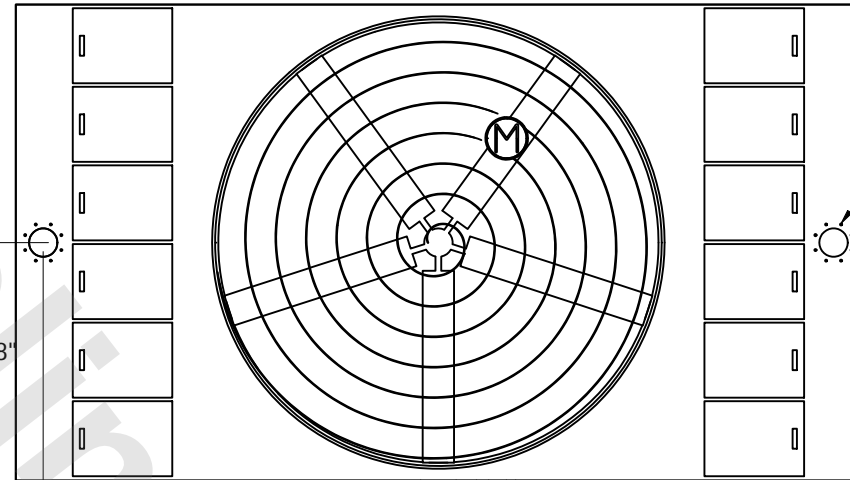
**FACE B
PLAN VIEW**



6'-11 5/8"
[2124]

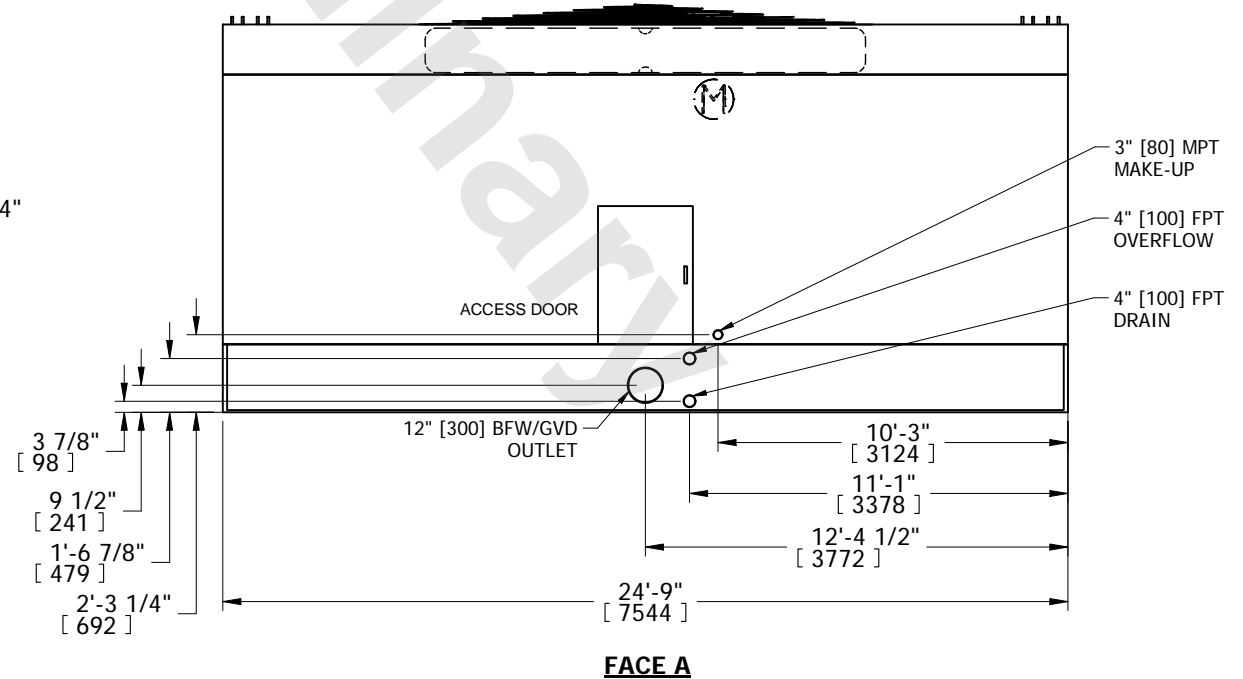
9 5/8"
[245]

FACE C
ACCESS DOOR



(2) 10" [250] ASME
150 BOLT PATTERN
INLET
FACE D

FACE A



3" [80] MPT
MAKE-UP
4" [100] FPT
OVERFLOW
4" [100] FPT
DRAIN

3 7/8"
[98]
9 1/2"
[241]
1'-6 7/8"
[479]
2'-3 1/4"
[692]

12" [300] BFW/GVD
OUTLET

10'-3"
[3124]
11'-1"
[3378]
12'-4 1/2"
[3772]

FACE A

SHIPPING WEIGHT	14360 lbs+ [6515] kg+	OPERATING WEIGHT	32270 lbs+ [14640] kg+	HEAVIEST SECTION WEIGHT	14360 lbs+ [6515] kg+	NO. OF SHIPPING SECTIONS	1	DRAWN BY:	SLR
-----------------	-----------------------	------------------	------------------------	-------------------------	-----------------------	--------------------------	---	-----------	-----