

|         |                      |       |
|---------|----------------------|-------|
| UNIT    | <b>COOLING TOWER</b> |       |
| MODEL # | AXS 14-19M24         | SCALE |



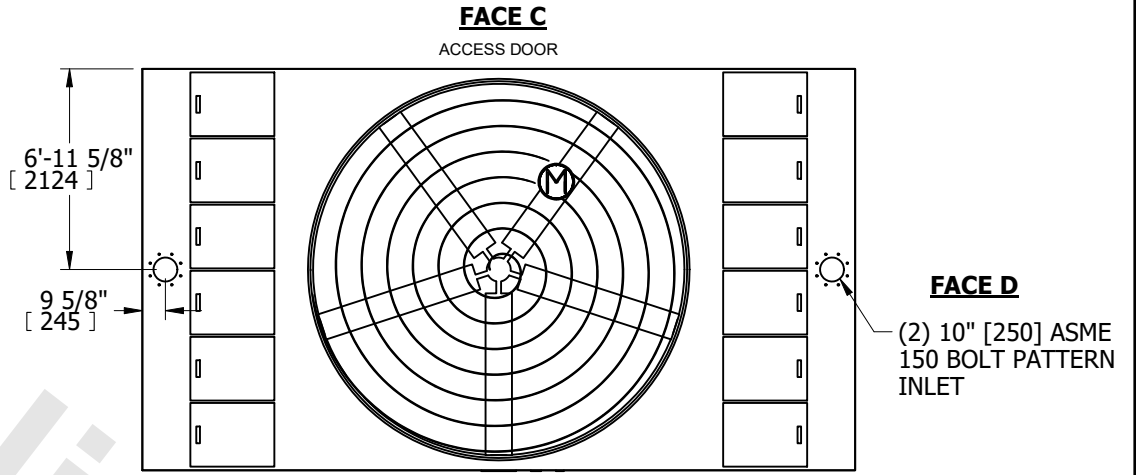
|          |                 |      |           |
|----------|-----------------|------|-----------|
| DWG. #   | AX142417-DRA-ST | REV. | -         |
| SERIAL # |                 | DATE | 6/25/2026 |

- NOTES:
- (M)- FAN MOTOR LOCATION
  - HEAVIEST SECTION IS UPPER SECTION
  - MPT DENOTES MALE PIPE THREAD  
FPT DENOTES FEMALE PIPE THREAD  
BFW DENOTES BEVELED FOR WELDING  
GVD DENOTES GROOVED
  - +UNIT WEIGHT DOES NOT INCLUDE ACCESSORIES (SEE ACCESSORY DRAWINGS)
  - MAKE-UP WATER PRESSURE  
20 psi MIN [137 kPa], 50 psi MAX [344 kPa]
  - 3/4" DIA. MOUNTING HOLES. REFER TO RECOMMENDED STEEL SUPPORT DRAWING.
  - DIMENSIONS LISTED AS FOLLOWS: ENGLISH IN [METRIC] [mm]

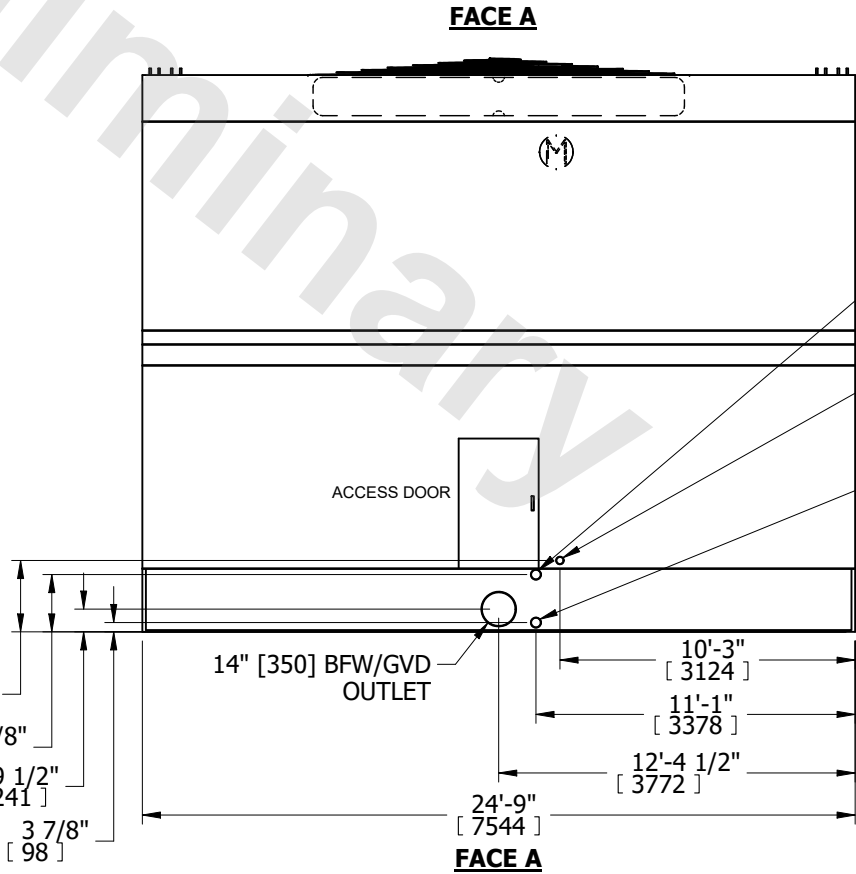
**FACE B  
PLAN VIEW**



**FACE B**



**FACE D**  
(2) 10" [250] ASME 150 BOLT PATTERN INLET



**FACE A**

4" [100] FPT OVERFLOW  
3" [80] MPT MAKE-UP  
4" [100] FPT DRAIN

14" [350] BFW/GVD OUTLET

|                 |                       |                  |                        |                         |                       |                          |   |           |     |
|-----------------|-----------------------|------------------|------------------------|-------------------------|-----------------------|--------------------------|---|-----------|-----|
| SHIPPING WEIGHT | 21310 lbs+ [9670] kg+ | OPERATING WEIGHT | 47950 lbs+ [21750] kg+ | HEAVIEST SECTION WEIGHT | 11950 lbs+ [5425] kg+ | NO. OF SHIPPING SECTIONS | 2 | DRAWN BY: | AWT |
|-----------------|-----------------------|------------------|------------------------|-------------------------|-----------------------|--------------------------|---|-----------|-----|