

CONFIDENTIAL

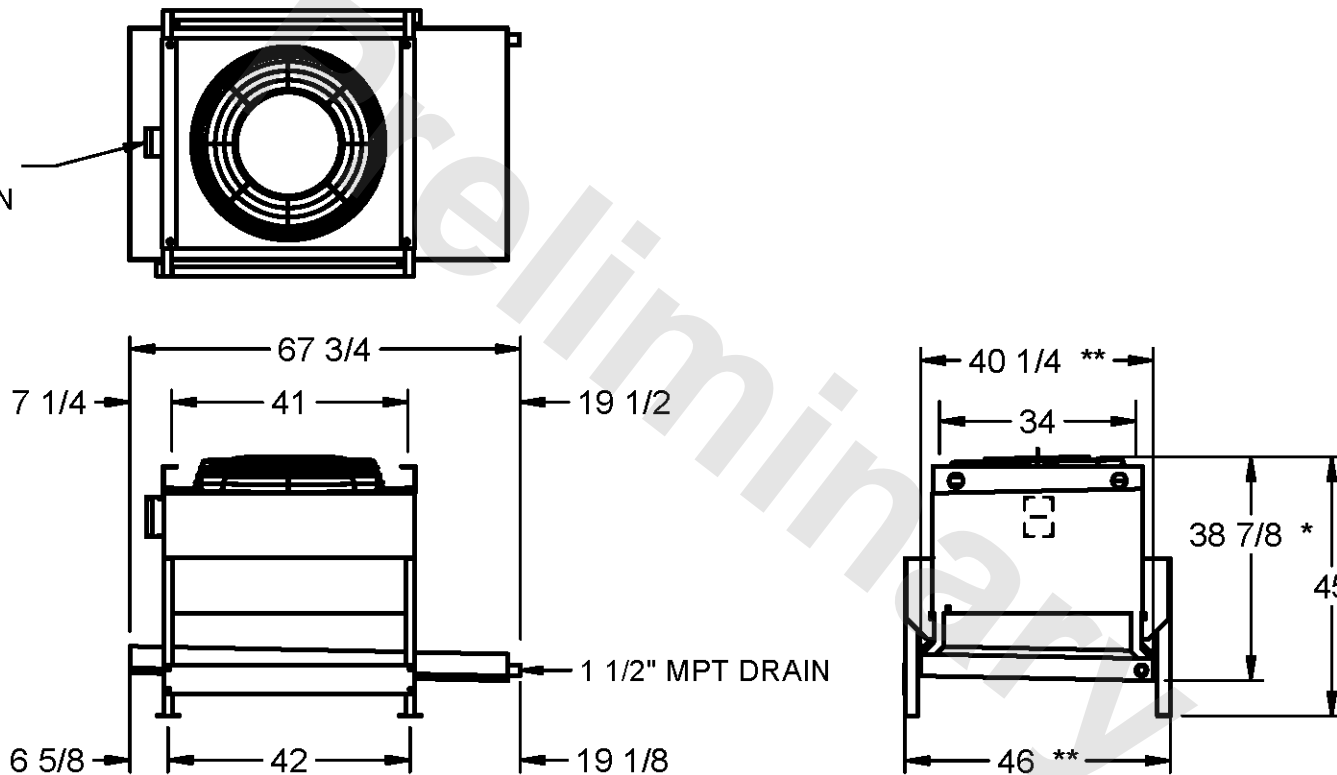
This document is the property of Evapco, Inc. It should not be copied or disclosed without prior written authorization.

# EVAPCO, INC.



|          |                              |              |                   |        |                |
|----------|------------------------------|--------------|-------------------|--------|----------------|
| CUSTOMER | MODEL # SSTWB1-9R66E0100F1KA | SCALE N.T.S. | DWG.# STWA1-SE-6L | REV. 0 | DATE 4/25/2026 |
|----------|------------------------------|--------------|-------------------|--------|----------------|

NEMA 4X  
JUNCTION  
BOX



### NOTES

- 1) ALL DIMENSIONS ARE FOR REFERENCE AND SHOULD NOT BE USED FOR PREFABRICATION OF PIPING OR SUPPORTS.
- 2) HANGER HOLES ARE FOR 3/4 INCH THREADED ROD.
- \* HOT GAS DEFROST ADDS 1/2 INCH TO THE HEIGHT OF A STANDARD UNIT, WATER DEFROST ADDS 6 INCHES TO THE HEIGHT OF A STANDARD UNIT AND CHANGES THE DRAIN SIZE.
- \*\* EXTENDED WIDTH DRAIN PAN ADDS 6 INCHES TO THE WIDTH OF A STANDARD UNIT.

|         |      |                                    |                                     |
|---------|------|------------------------------------|-------------------------------------|
| PROJECT | ROOM | SHIPPING WEIGHT 630 lbs+ [290] kg+ | OPERATING WEIGHT 740 lbs+ [340] kg+ |
|---------|------|------------------------------------|-------------------------------------|