

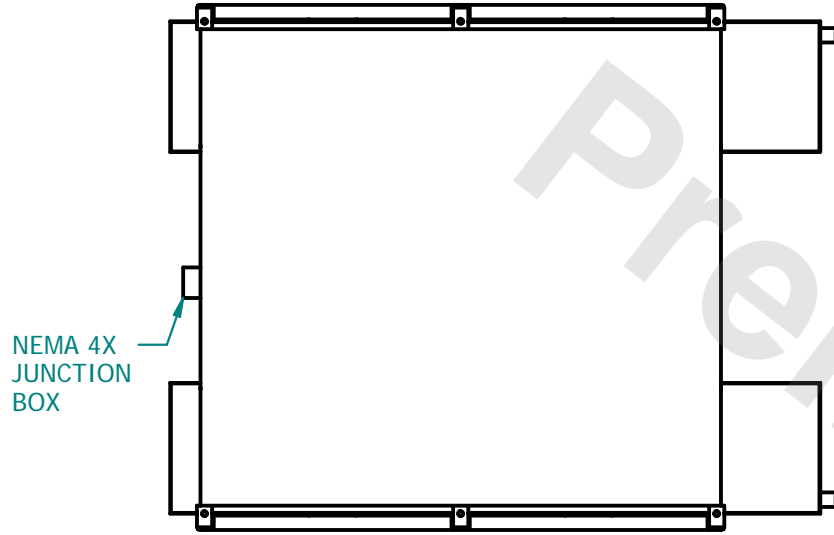
CONFIDENTIAL

This document is the property of Evapco, Inc. It should not be copied or disclosed without prior written authorization

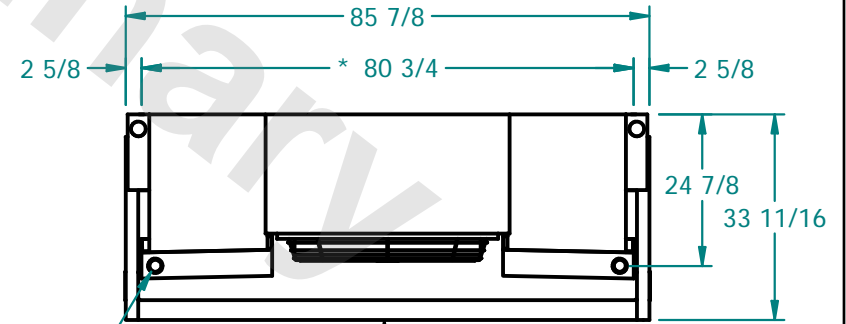
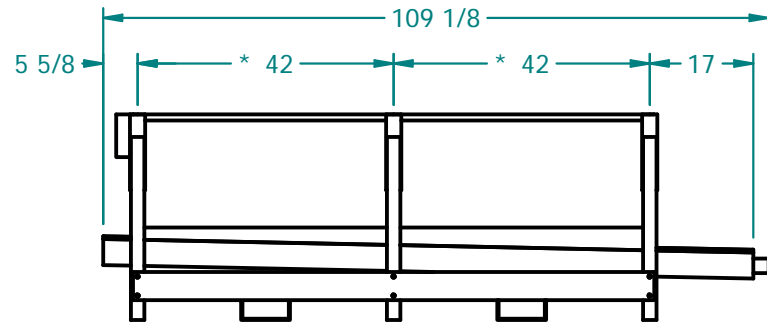
EVAPCO, INC.



CUSTOMER	MODEL # SSTDB2-1983E0300F1LA-B	SCALE N.T.S.	DWG. # STD2-BT	REV. 0	DATE 12/13/2025
----------	--------------------------------	--------------	----------------	--------	-----------------



NEMA 4X JUNCTION BOX



2.0" MPT DRAIN TYP. 2

AIR FLOW BLOW THROUGH

- NOTES :**
- 1) * = HANGER HOLE LOCATION.
 - 2) ALL DIMENSIONS ARE FOR REFERENCE AND SHOULD NOT BE USED FOR PREFABRICATION OF PIPING OR SUPPORTS.
 - 3) HANGER HOLES ARE FOR 3/4 INCH THREADED ROD.

PROJECT	ROOM	SHIPPING WEIGHT 1280 lbs	OPERATING WEIGHT 1460 lbs
---------	------	--------------------------	---------------------------