

UNIT CLOSED CIRCUIT COOLER
 MODEL # ESW4 14-34M22-LP SCALE NTS

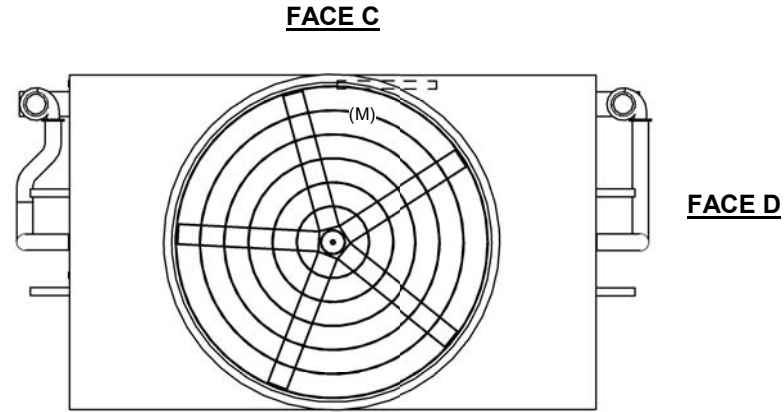
EVAPCO, INC.



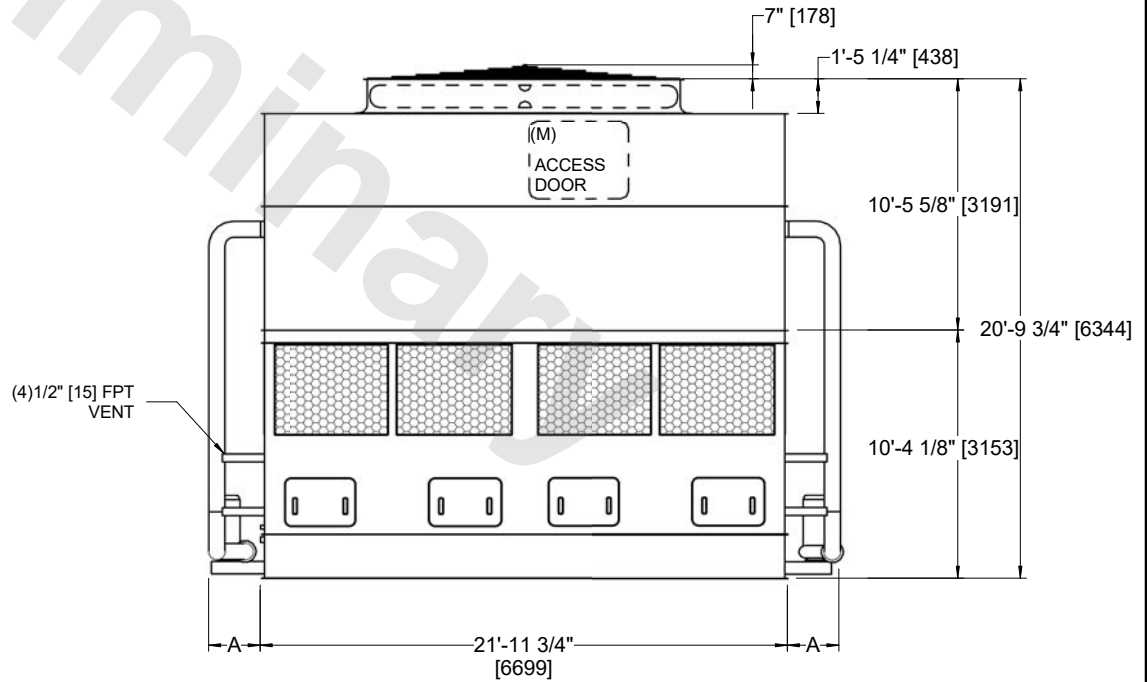
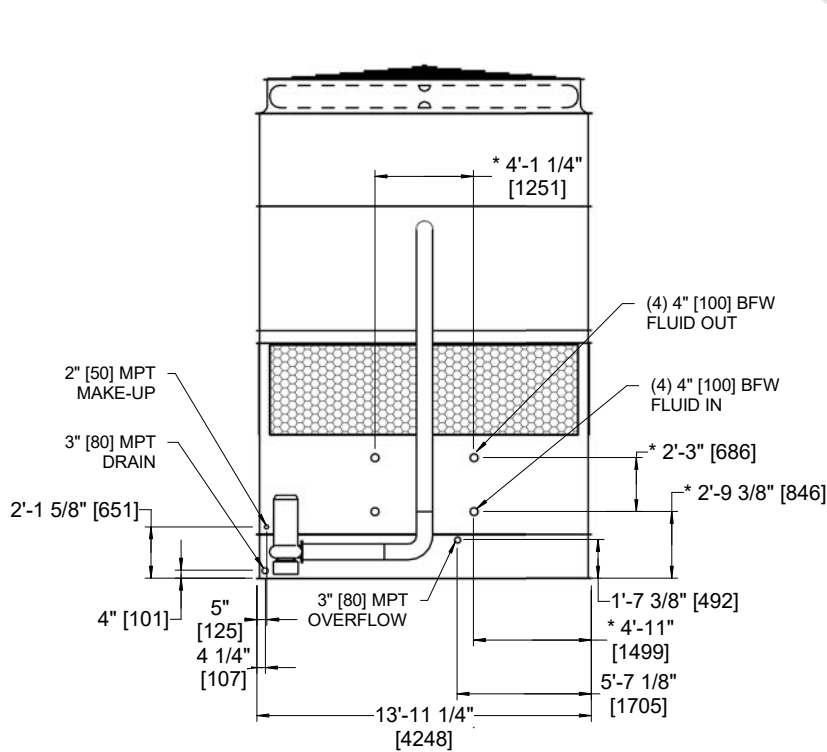
DWG. # WX414223608-DRB-ST REV -
 SERIAL # DATE: 4/25/2026

- NOTES:
- (M)- FAN MOTOR LOCATION
 - HEAVIEST SECTION IS COIL SECTION
 - MPT DENOTES MALE PIPE THREAD
 FPT DENOTES FEMALE PIPE THREAD
 BFW DENOTES BEVELED FOR WELDING
 GVD DENOTES GROOVED
 FLG DENOTES FLANGE
 - +UNIT WEIGHT DOES NOT INCLUDE ACCESSORIES (SEE ACCESSORY DRAWINGS)
 - 3/4" [19MM] DIA. MOUNTING HOLES. REFER TO RECOMMENDED STEEL SUPPORT DRAWING
 - MAKE-UP WATER PRESSURE
 20 psi MIN [137 kPa], 50 psi MAX [344 kPa]
 - DIMENSIONS LISTED AS FOLLOWS:
 ENGLISH FT-IN
 [METRIC] [mm]
 - * - APPROXIMATE DIMENSIONS DO NOT USE FOR PRE-FABRICATION OF CONNECTING PIPING

**FACE B
 PLAN VIEW**



FACE A



FACE A

| MODEL NUMBER | DIMENSION A |
|------------------|-------------|
| ESW4 14-34*22-LP | 2'-1 3/4" |
| ESW4 14-34*22-AP | 2'-7 1/4" |

| | | | | |
|--|---|--|----------------------------|---------------|
| SHIPPING WEIGHT 39120 lbs+ [17745] kg+ | OPERATING WEIGHT 58360 lbs+ [26475] kg+ | HEAVIEST SECTION WEIGHT 26890 lbs+ [12200] kg+ | NO. OF SHIPPING SECTIONS 2 | DRAWN BY: JLG |
|--|---|--|----------------------------|---------------|