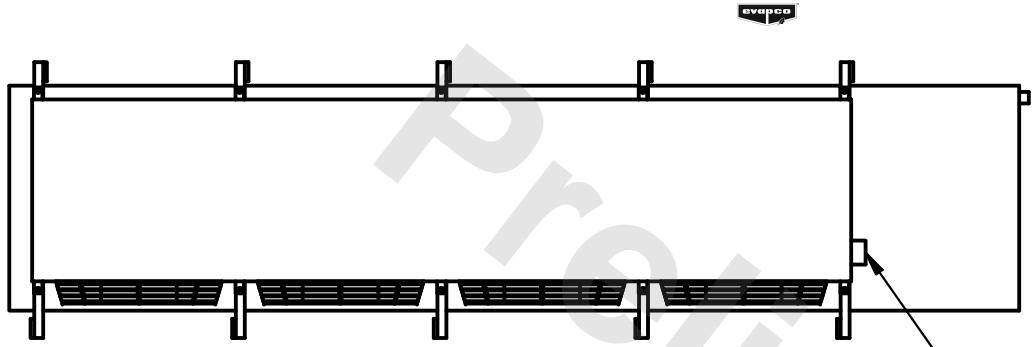


**CONFIDENTIAL**

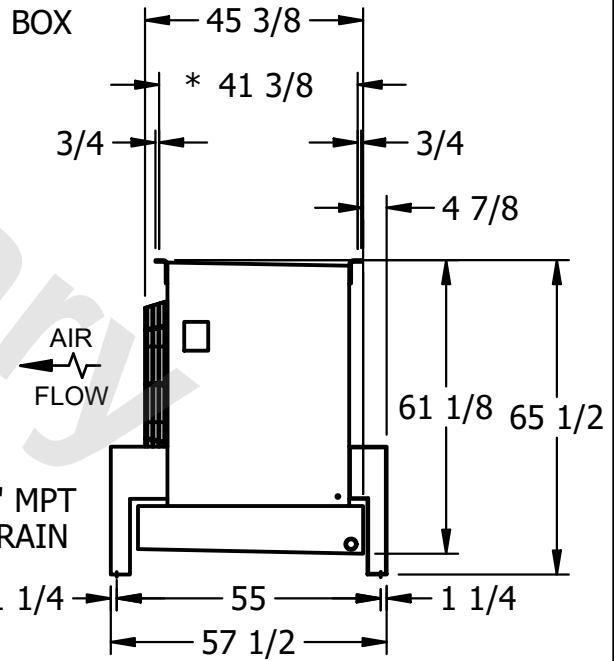
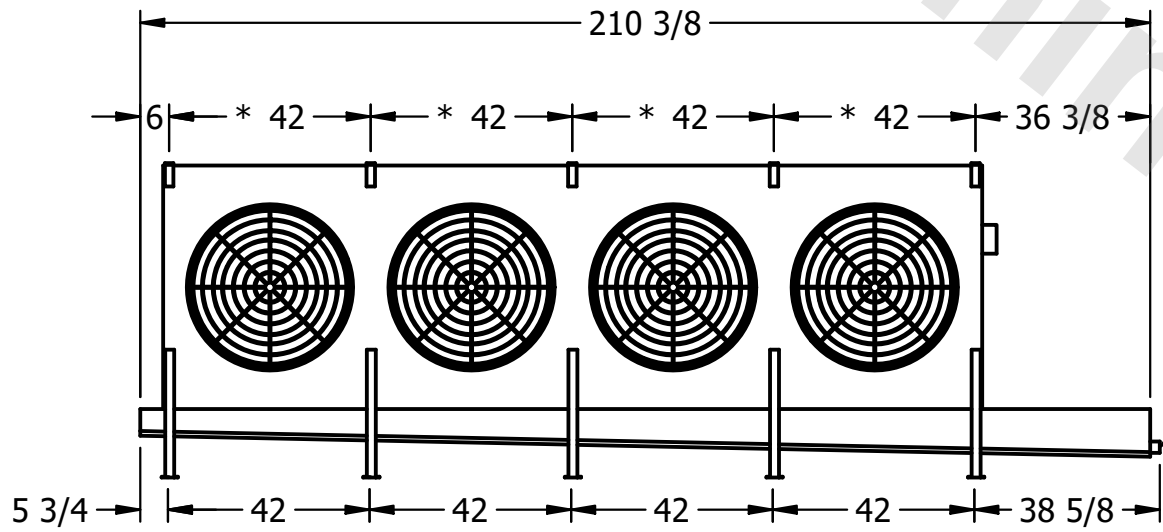
This document is the property of Evapco, Inc. It should not be copied or disclosed without prior written authorization.

CUSTOMER	MODEL # U-SSTME4-5684H0100F1KA	SCALE N.T.S.	DWG. # USSTM4-SE-24	REV. 0	DATE 2/23/2026
----------	--------------------------------	--------------	---------------------	--------	----------------



- NOTES:**
- 1) \* = HANGER HOLE LOCATION.
  - 2) RIGHT HAND MODEL SHOWN.
  - 3) HANGER HOLES ARE FOR 3/4 INCH THREADED ROD.
  - 4) ALL DIMENSIONS ARE FOR REFERENCE AND SHOULD NOT BE USED FOR PREFABRICATION OF PIPING OR SUPPORTS.

NEMA 4X  
JUNCTION BOX



AIR  
FLOW

2" MPT  
DRAIN

PROJECT	ROOM	SHIPPING WEIGHT 3080 lbs+ [1400] kg+	OPERATING WEIGHT 3600 lbs+ [1635] kg+
---------	------	--------------------------------------	---------------------------------------