

**CONFIDENTIAL**

This document is the property of Evapco, Inc. It should not be copied or disclosed without prior written authorization.

|          |                               |              |                        |        |                |
|----------|-------------------------------|--------------|------------------------|--------|----------------|
| CUSTOMER | MODEL # U-SSTME1-846H0075C1LA | SCALE N.T.S. | DWG. # USSTM1-SE-12,14 | REV. 0 | DATE 4/11/2026 |
|----------|-------------------------------|--------------|------------------------|--------|----------------|

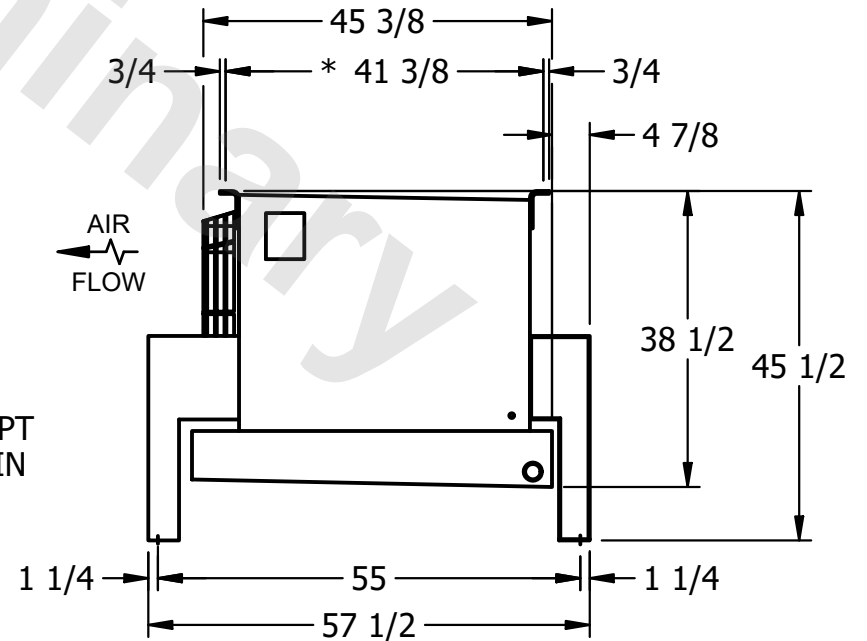


**NOTES:**

- 1) \* = HANGER HOLE LOCATION.
- 2) RIGHT HAND MODEL SHOWN.
- 3) HANGER HOLES ARE FOR 3/4 INCH THREADED ROD.
- 4) ALL DIMENSIONS ARE FOR REFERENCE AND SHOULD NOT BE USED FOR PREFABRICATION OF PIPING OR SUPPORTS.



2" MPT DRAIN



AIR FLOW

|         |      |                                    |                                     |
|---------|------|------------------------------------|-------------------------------------|
| PROJECT | ROOM | SHIPPING WEIGHT 550 lbs+ [250] kg+ | OPERATING WEIGHT 600 lbs+ [275] kg+ |
|---------|------|------------------------------------|-------------------------------------|