

**CONFIDENTIAL**

This document is the property of Evapco, Inc. It should not be copied or disclosed without prior written authorization.

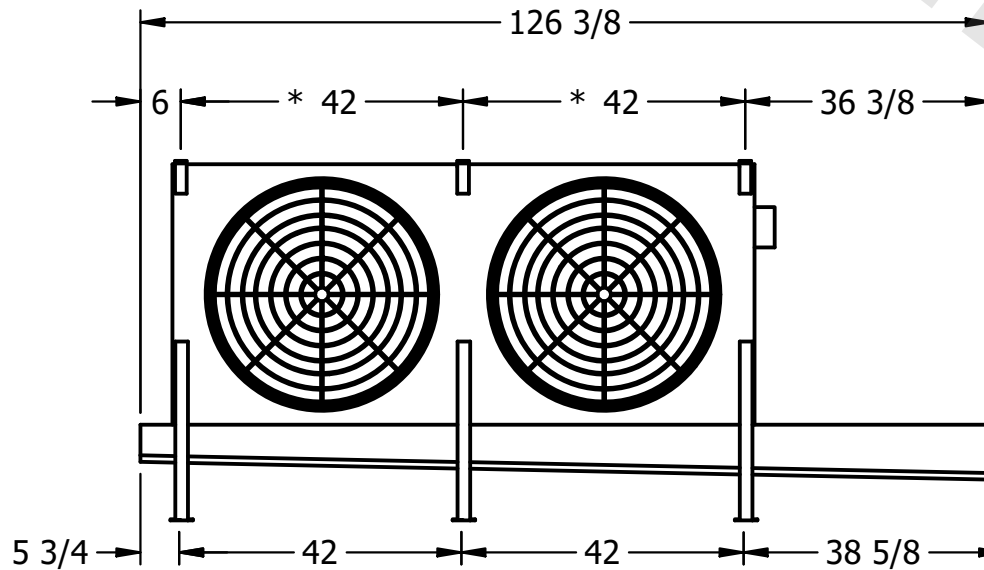
|          |                                 |              |                        |        |                |
|----------|---------------------------------|--------------|------------------------|--------|----------------|
| CUSTOMER | MODEL # U-SSTME2-21104H0150F1LA | SCALE N.T.S. | DWG. # USSTM2-SE-16,18 | REV. 0 | DATE 6/25/2026 |
|----------|---------------------------------|--------------|------------------------|--------|----------------|



**NOTES:**

- 1) \* = HANGER HOLE LOCATION.
- 2) RIGHT HAND MODEL SHOWN.
- 3) HANGER HOLES ARE FOR 3/4 INCH THREADED ROD.
- 4) ALL DIMENSIONS ARE FOR REFERENCE AND SHOULD NOT BE USED FOR PREFABRICATION OF PIPING OR SUPPORTS.

NEMA 4X  
JUNCTION BOX



2" MPT  
DRAIN

|         |      |                                     |                                      |
|---------|------|-------------------------------------|--------------------------------------|
| PROJECT | ROOM | SHIPPING WEIGHT 1510 lbs+ [685] kg+ | OPERATING WEIGHT 1760 lbs+ [800] kg+ |
|---------|------|-------------------------------------|--------------------------------------|