

**CONFIDENTIAL**

This document is the property of Evapco, Inc. It should not be copied or disclosed without prior written authorization.

|          |                                 |              |                     |        |                |
|----------|---------------------------------|--------------|---------------------|--------|----------------|
| CUSTOMER | MODEL # U-SSTME2-28106F0150H1JA | SCALE N.T.S. | DWG. # USSTM2-SE-24 | REV. 0 | DATE 4/27/2026 |
|----------|---------------------------------|--------------|---------------------|--------|----------------|



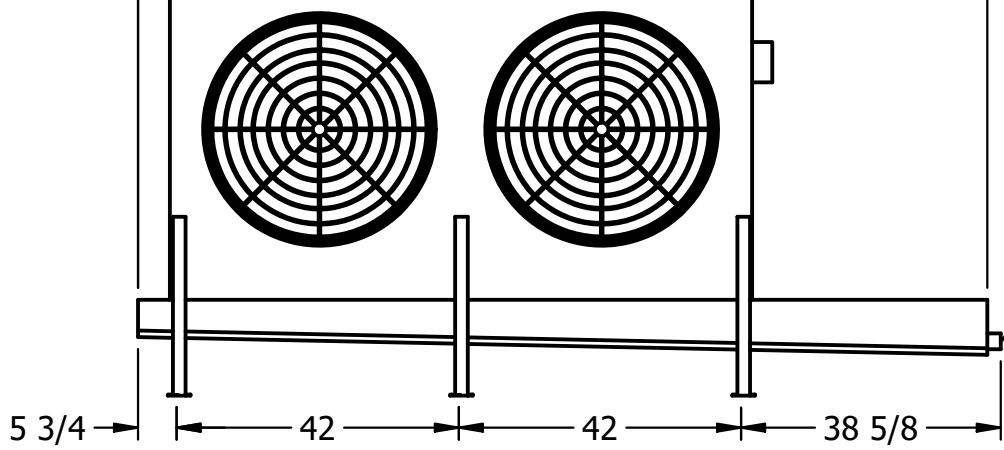
**NOTES:**

- 1) \* = HANGER HOLE LOCATION.
- 2) RIGHT HAND MODEL SHOWN.
- 3) HANGER HOLES ARE FOR 3/4 INCH THREADED ROD.
- 4) ALL DIMENSIONS ARE FOR REFERENCE AND SHOULD NOT BE USED FOR PREFABRICATION OF PIPING OR SUPPORTS.

NEMA 4X  
JUNCTION BOX



2" MPT  
DRAIN



|         |      |                                     |                                      |
|---------|------|-------------------------------------|--------------------------------------|
| PROJECT | ROOM | SHIPPING WEIGHT 1580 lbs+ [720] kg+ | OPERATING WEIGHT 2010 lbs+ [915] kg+ |
|---------|------|-------------------------------------|--------------------------------------|