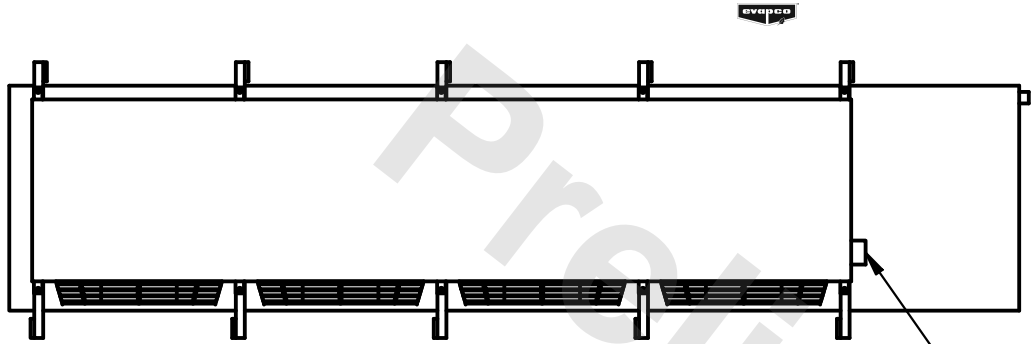


**CONFIDENTIAL**

This document is the property of Evapco, Inc. It should not be copied or disclosed without prior written authorization.

|          |                                |              |                     |        |                |
|----------|--------------------------------|--------------|---------------------|--------|----------------|
| CUSTOMER | MODEL # U-SSTME4-5663F0100H1JA | SCALE N.T.S. | DWG. # USSTM4-SE-24 | REV. 0 | DATE 6/20/2026 |
|----------|--------------------------------|--------------|---------------------|--------|----------------|



**NOTES:**

- 1) \* = HANGER HOLE LOCATION.
- 2) RIGHT HAND MODEL SHOWN.
- 3) HANGER HOLES ARE FOR 3/4 INCH THREADED ROD.
- 4) ALL DIMENSIONS ARE FOR REFERENCE AND SHOULD NOT BE USED FOR PREFABRICATION OF PIPING OR SUPPORTS.

NEMA 4X  
JUNCTION BOX



|         |      |                                     |                                       |
|---------|------|-------------------------------------|---------------------------------------|
| PROJECT | ROOM | SHIPPING WEIGHT 2020 lbs+ [920] kg+ | OPERATING WEIGHT 2360 lbs+ [1075] kg+ |
|---------|------|-------------------------------------|---------------------------------------|