

**CONFIDENTIAL**

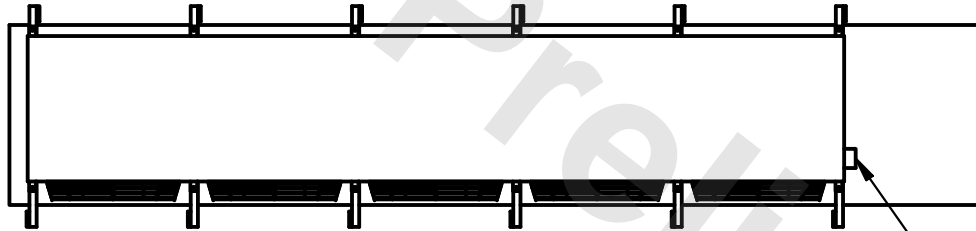
This document is the property of Evapco, Inc. It should not be copied or disclosed without prior written authorization.

|          |                                |              |                        |        |                |
|----------|--------------------------------|--------------|------------------------|--------|----------------|
| CUSTOMER | MODEL # U-SSTME5-5363H0050F3KA | SCALE N.T.S. | DWG. # USSTM5-SE-16,18 | REV. 0 | DATE 6/24/2025 |
|----------|--------------------------------|--------------|------------------------|--------|----------------|

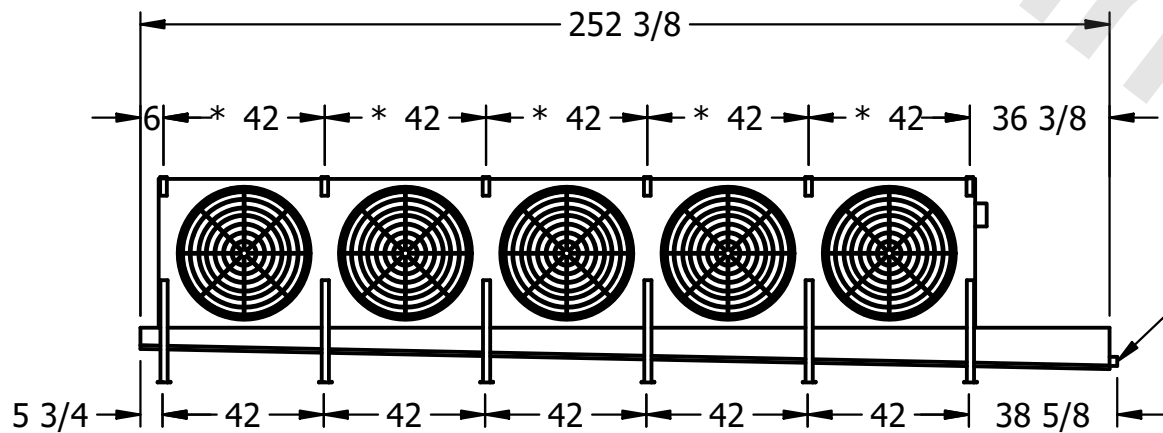


NOTES:

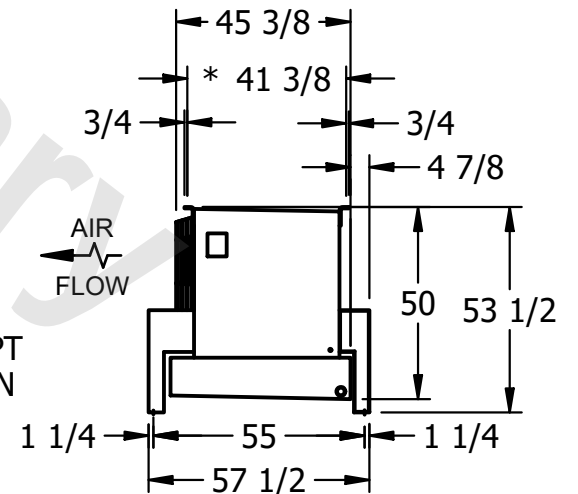
- 1) \* = HANGER HOLE LOCATION.
- 2) RIGHT HAND MODEL SHOWN.
- 3) HANGER HOLES ARE FOR 3/4 INCH THREADED ROD.
- 4) ALL DIMENSIONS ARE FOR REFERENCE AND SHOULD NOT BE USED FOR PREFABRICATION OF PIPING OR SUPPORTS.



NEMA 4X  
JUNCTION BOX



2" MPT  
DRAIN



|         |      |                                      |                                       |
|---------|------|--------------------------------------|---------------------------------------|
| PROJECT | ROOM | SHIPPING WEIGHT 2540 lbs+ [1155] kg+ | OPERATING WEIGHT 2850 lbs+ [1295] kg+ |
|---------|------|--------------------------------------|---------------------------------------|