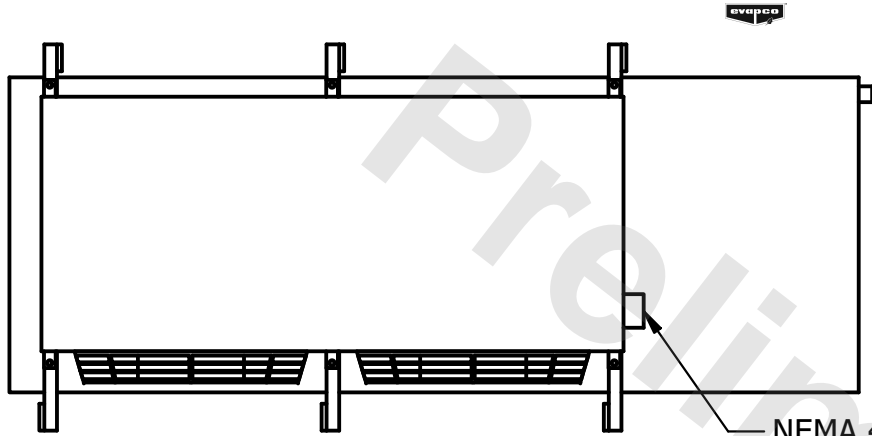


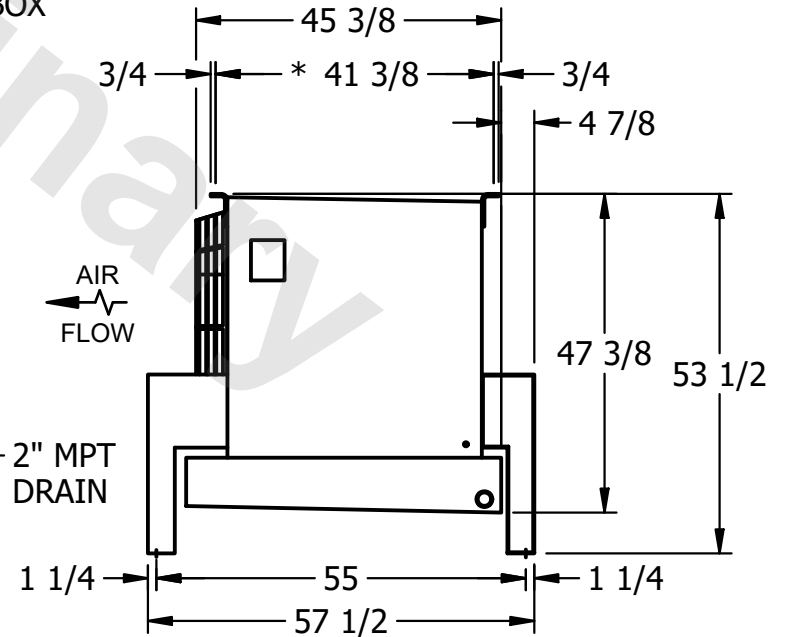
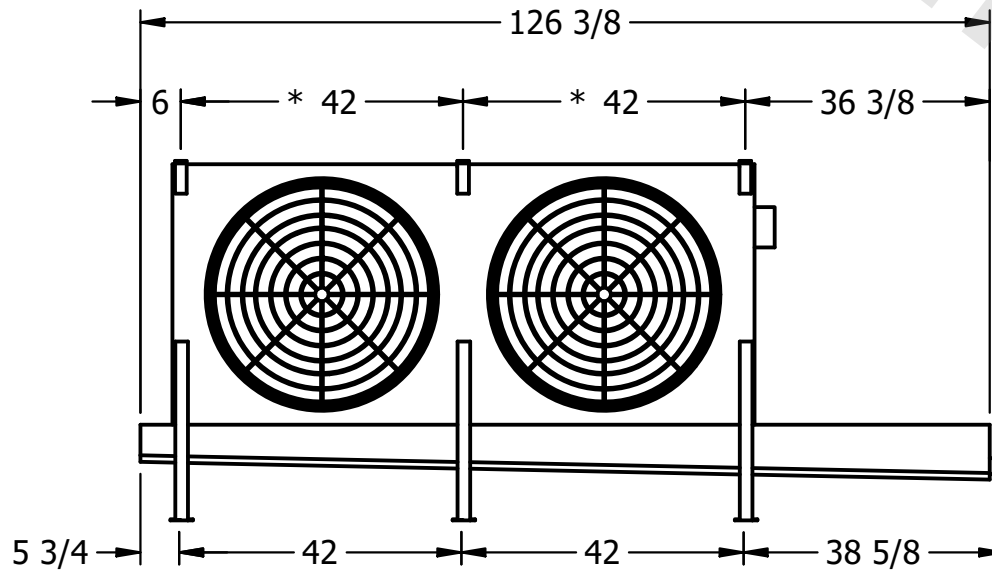
**CONFIDENTIAL**

This document is the property of Evapco, Inc. It should not be copied or disclosed without prior written authorization.

|          |                                |              |                        |        |                |
|----------|--------------------------------|--------------|------------------------|--------|----------------|
| CUSTOMER | MODEL # U-SSTME2-1986F0150F1LA | SCALE N.T.S. | DWG. # USSTM2-SE-16,18 | REV. 0 | DATE 4/25/2026 |
|----------|--------------------------------|--------------|------------------------|--------|----------------|



- NOTES:**
- 1) \* = HANGER HOLE LOCATION.
  - 2) RIGHT HAND MODEL SHOWN.
  - 3) HANGER HOLES ARE FOR 3/4 INCH THREADED ROD.
  - 4) ALL DIMENSIONS ARE FOR REFERENCE AND SHOULD NOT BE USED FOR PREFABRICATION OF PIPING OR SUPPORTS.



|         |      |                                     |                                      |
|---------|------|-------------------------------------|--------------------------------------|
| PROJECT | ROOM | SHIPPING WEIGHT 1130 lbs+ [515] kg+ | OPERATING WEIGHT 1360 lbs+ [620] kg+ |
|---------|------|-------------------------------------|--------------------------------------|