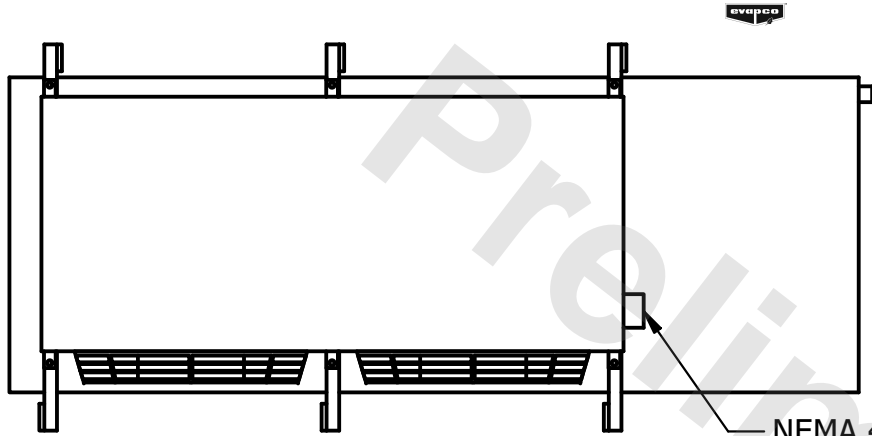


CONFIDENTIAL

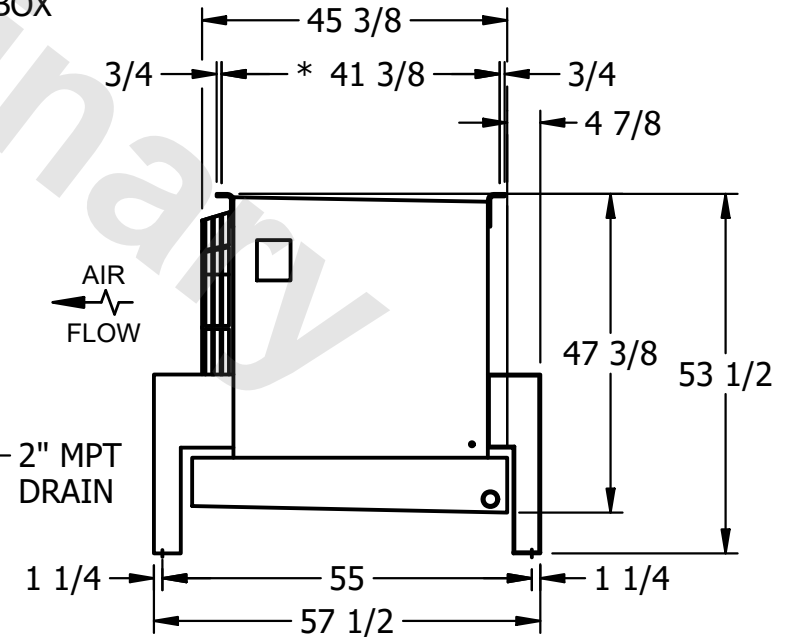
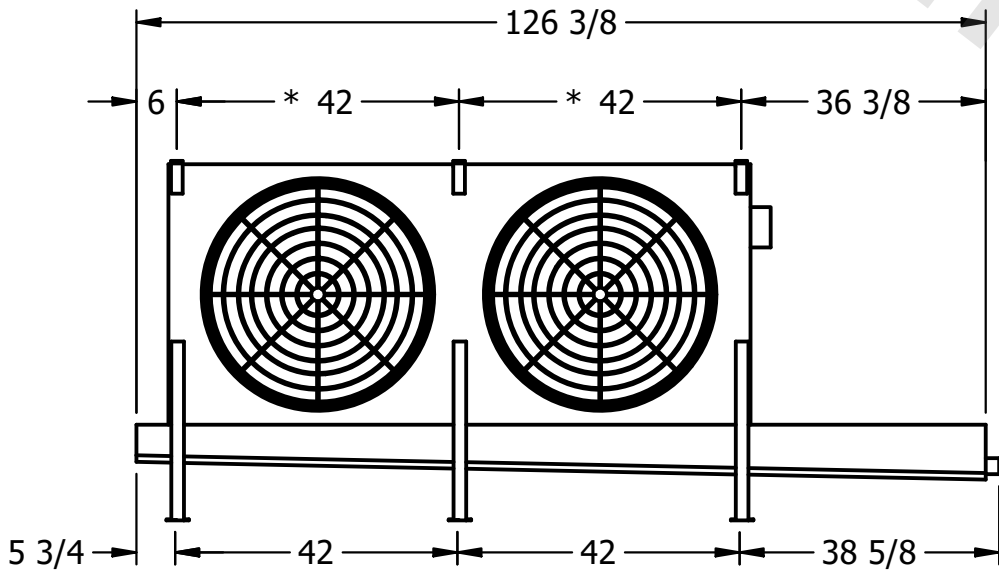
This document is the property of Evapco, Inc. It should not be copied or disclosed without prior written authorization.

| | | | | | |
|----------|--------------------------------|--------------|------------------------|--------|----------------|
| CUSTOMER | MODEL # U-SSTME2-2144H0075F3KA | SCALE N.T.S. | DWG. # USSTM2-SE-16,18 | REV. 0 | DATE 6/25/2026 |
|----------|--------------------------------|--------------|------------------------|--------|----------------|



NEMA 4X JUNCTION BOX

- NOTES:**
- 1) * = HANGER HOLE LOCATION.
 - 2) RIGHT HAND MODEL SHOWN.
 - 3) HANGER HOLES ARE FOR 3/4 INCH THREADED ROD.
 - 4) ALL DIMENSIONS ARE FOR REFERENCE AND SHOULD NOT BE USED FOR PREFABRICATION OF PIPING OR SUPPORTS.



| | | | |
|---------|------|-------------------------------------|--------------------------------------|
| PROJECT | ROOM | SHIPPING WEIGHT 1000 lbs+ [455] kg+ | OPERATING WEIGHT 1100 lbs+ [500] kg+ |
|---------|------|-------------------------------------|--------------------------------------|