

**CONFIDENTIAL**

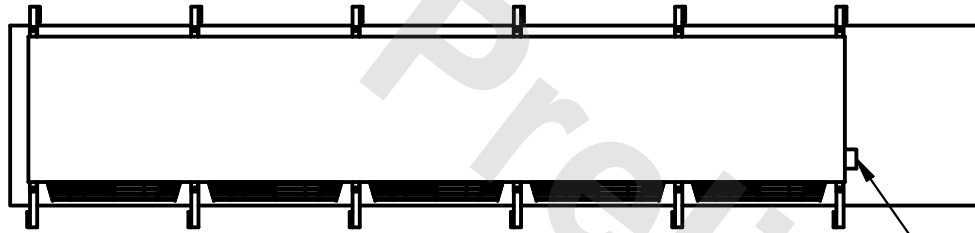
This document is the property of Evapco, Inc. It should not be copied or disclosed without prior written authorization.

CUSTOMER	MODEL # U-SSTME5-70104H0100F1KA	SCALE N.T.S.	DWG. # USSTM5-SE-24	REV. 0	DATE 12/13/2025
----------	---------------------------------	--------------	---------------------	--------	-----------------

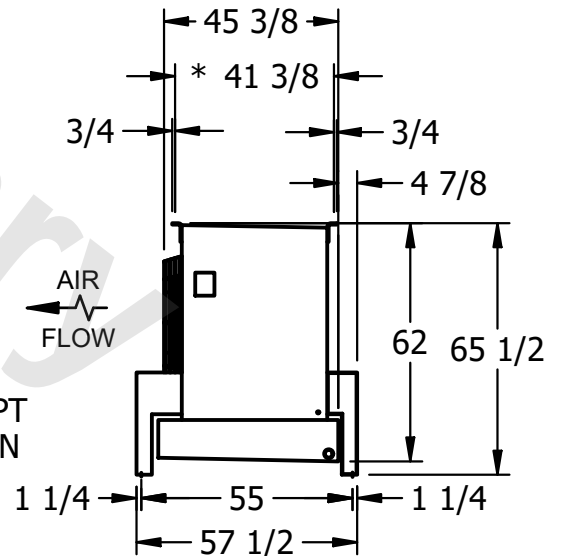


**NOTES:**

- 1) \* = HANGER HOLE LOCATION.
- 2) RIGHT HAND MODEL SHOWN.
- 3) HANGER HOLES ARE FOR 3/4 INCH THREADED ROD.
- 4) ALL DIMENSIONS ARE FOR REFERENCE AND SHOULD NOT BE USED FOR PREFABRICATION OF PIPING OR SUPPORTS.



NEMA 4X  
JUNCTION BOX



PROJECT	ROOM	SHIPPING WEIGHT 4370 lbs+ [1985] kg+	OPERATING WEIGHT 5190 lbs+ [2355] kg+
---------	------	--------------------------------------	---------------------------------------