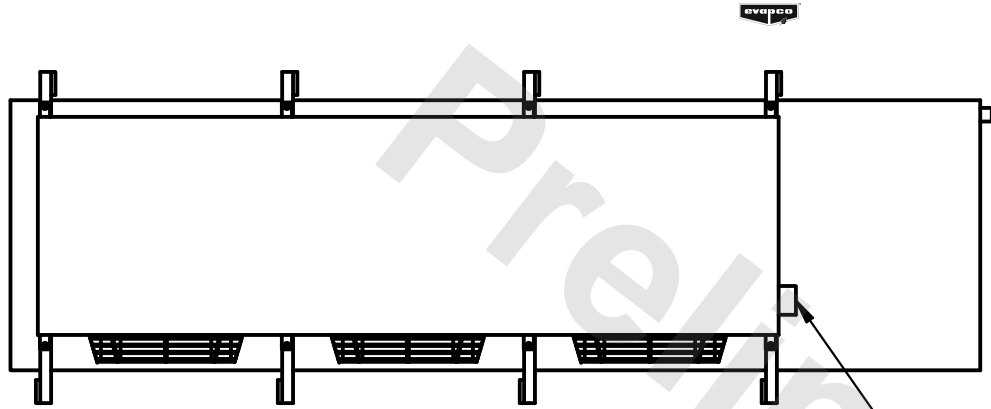


**CONFIDENTIAL**

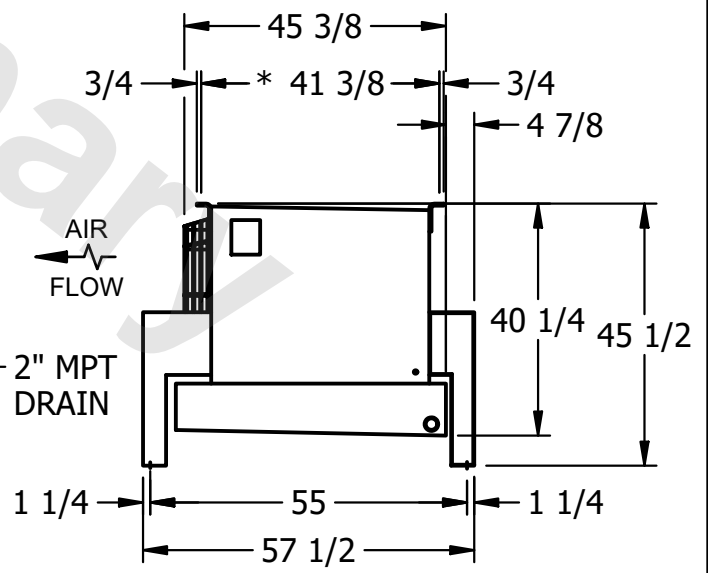
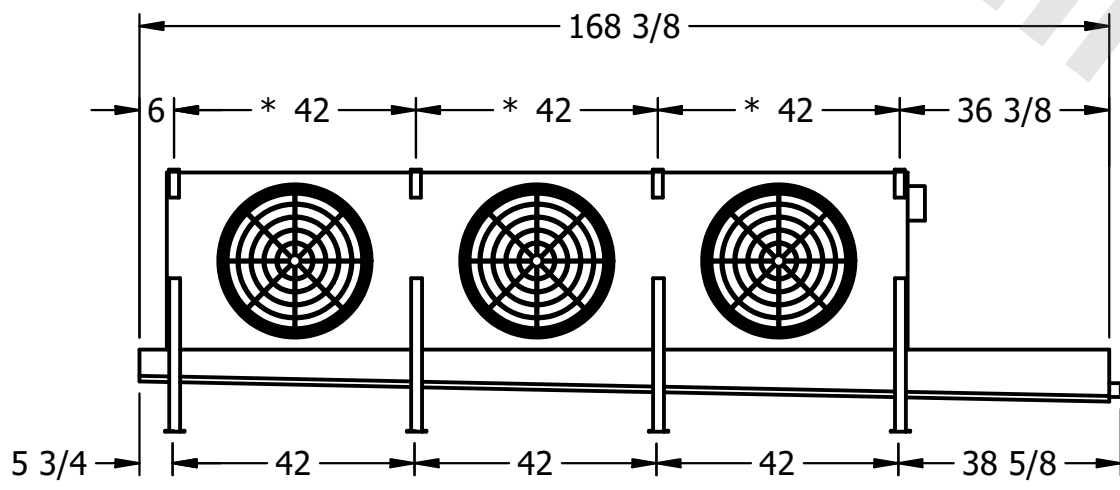
This document is the property of Evapco, Inc. It should not be copied or disclosed without prior written authorization.

|          |                                |              |                        |        |               |
|----------|--------------------------------|--------------|------------------------|--------|---------------|
| CUSTOMER | MODEL # U-SSTME3-2543H0025C1KA | SCALE N.T.S. | DWG. # USSTM3-SE-12,14 | REV. 0 | DATE 3/3/2026 |
|----------|--------------------------------|--------------|------------------------|--------|---------------|



- NOTES:**
- 1) \* = HANGER HOLE LOCATION.
  - 2) RIGHT HAND MODEL SHOWN.
  - 3) HANGER HOLES ARE FOR 3/4 INCH THREADED ROD.
  - 4) ALL DIMENSIONS ARE FOR REFERENCE AND SHOULD NOT BE USED FOR PREFABRICATION OF PIPING OR SUPPORTS.

NEMA 4X  
JUNCTION BOX



|         |      |                                     |                                      |
|---------|------|-------------------------------------|--------------------------------------|
| PROJECT | ROOM | SHIPPING WEIGHT 1330 lbs+ [605] kg+ | OPERATING WEIGHT 1420 lbs+ [645] kg+ |
|---------|------|-------------------------------------|--------------------------------------|