

CONFIDENTIAL

This document is the property of Evapco, Inc. It should not be copied or disclosed without prior written authorization.

| | | | | | |
|----------|---------------------------------|--------------|------------------------|--------|----------------|
| CUSTOMER | MODEL # U-SSTME4-42106H0100F1LA | SCALE N.T.S. | DWG. # USSTM4-SE-16,18 | REV. 0 | DATE 2/26/2026 |
|----------|---------------------------------|--------------|------------------------|--------|----------------|

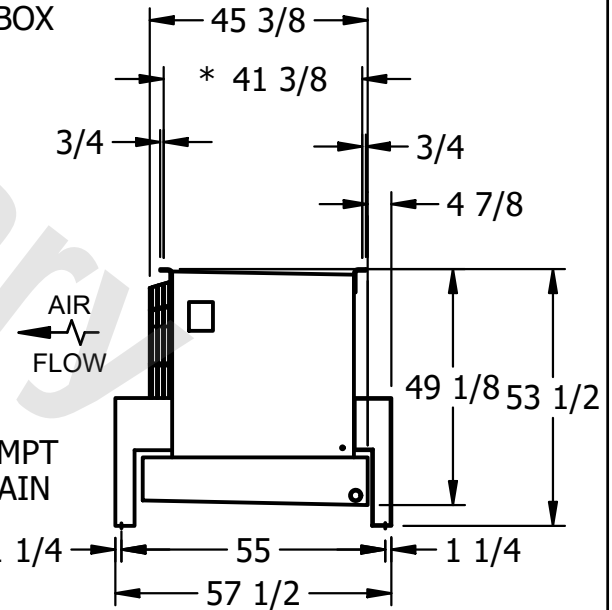


NOTES:

- 1) * = HANGER HOLE LOCATION.
- 2) RIGHT HAND MODEL SHOWN.
- 3) HANGER HOLES ARE FOR 3/4 INCH THREADED ROD.
- 4) ALL DIMENSIONS ARE FOR REFERENCE AND SHOULD NOT BE USED FOR PREFABRICATION OF PIPING OR SUPPORTS.



NEMA 4X
JUNCTION BOX



| | | | |
|---------|------|--------------------------------------|---------------------------------------|
| PROJECT | ROOM | SHIPPING WEIGHT 3340 lbs+ [1515] kg+ | OPERATING WEIGHT 3980 lbs+ [1810] kg+ |
|---------|------|--------------------------------------|---------------------------------------|