

**CONFIDENTIAL**

This document is the property of Evapco, Inc. It should not be copied or disclosed without prior written authorization.

|          |                                |              |                     |        |               |
|----------|--------------------------------|--------------|---------------------|--------|---------------|
| CUSTOMER | MODEL # U-SSTME1-1443F0100F1KA | SCALE N.T.S. | DWG. # USSTM1-SE-24 | REV. 0 | DATE 4/9/2026 |
|----------|--------------------------------|--------------|---------------------|--------|---------------|



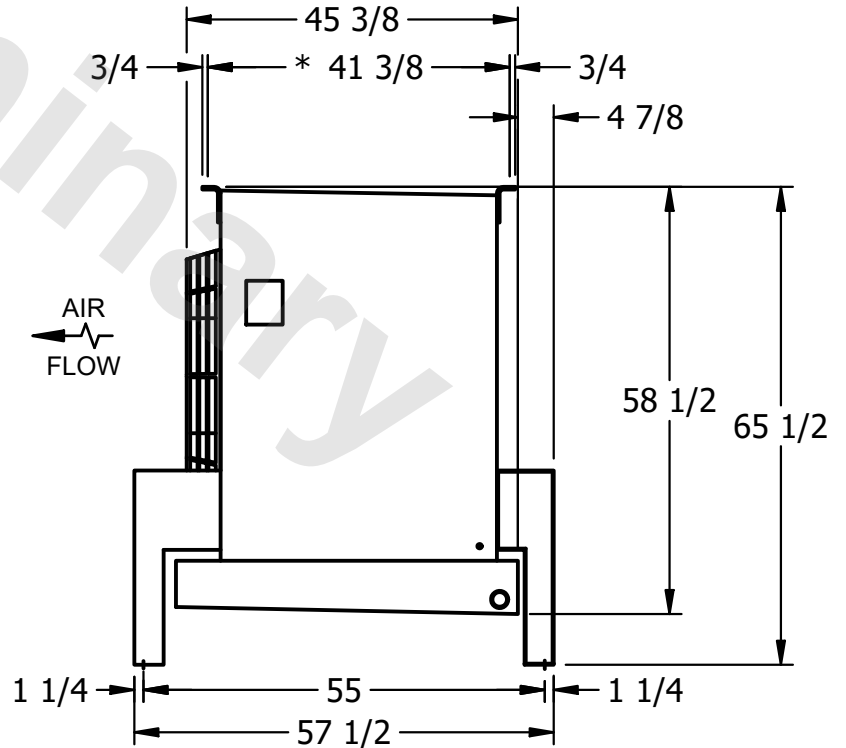
NEMA 4X  
JUNCTION BOX

**NOTES:**

- 1) \* = HANGER HOLE LOCATION.
- 2) RIGHT HAND MODEL SHOWN.
- 3) HANGER HOLES ARE FOR 3/4 INCH THREADED ROD.
- 4) ALL DIMENSIONS ARE FOR REFERENCE AND SHOULD NOT BE USED FOR PREFABRICATION OF PIPING OR SUPPORTS.



2" MPT  
DRAIN



|         |      |                                    |                                     |
|---------|------|------------------------------------|-------------------------------------|
| PROJECT | ROOM | SHIPPING WEIGHT 560 lbs+ [255] kg+ | OPERATING WEIGHT 620 lbs+ [285] kg+ |
|---------|------|------------------------------------|-------------------------------------|