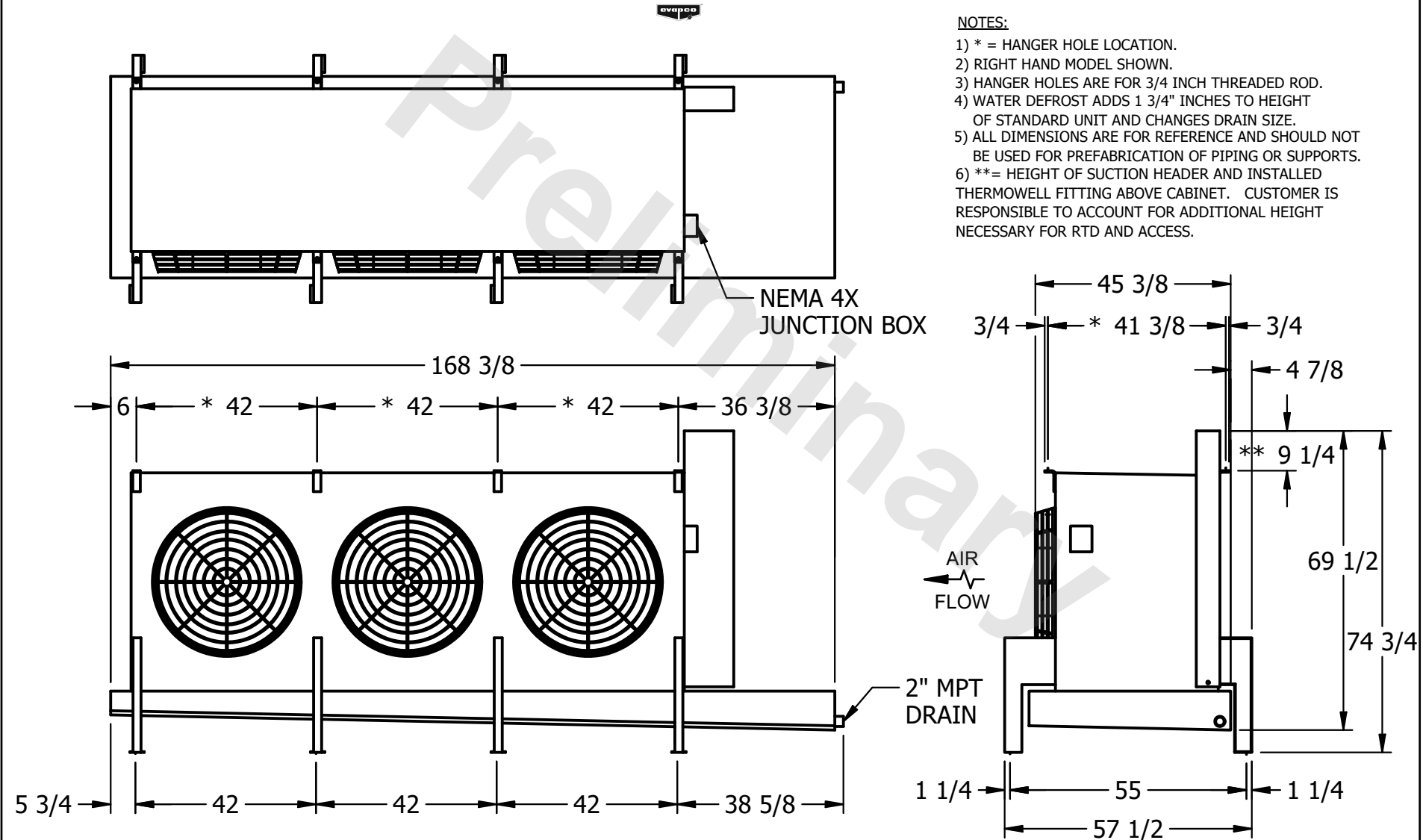


**CONFIDENTIAL**

This document is the property of Evapco, Inc. It should not be copied or disclosed without prior written authorization.

|          |                                 |              |                      |        |                |
|----------|---------------------------------|--------------|----------------------|--------|----------------|
| CUSTOMER | MODEL # U-EJETME3-4286H0150F1LA | SCALE N.T.S. | DWG. # UEJETM3-SE-24 | REV. 0 | DATE 6/25/2025 |
|----------|---------------------------------|--------------|----------------------|--------|----------------|



|         |      |                                      |                                       |
|---------|------|--------------------------------------|---------------------------------------|
| PROJECT | ROOM | SHIPPING WEIGHT 2720 lbs+ [1235] kg+ | OPERATING WEIGHT 3230 lbs+ [1470] kg+ |
|---------|------|--------------------------------------|---------------------------------------|