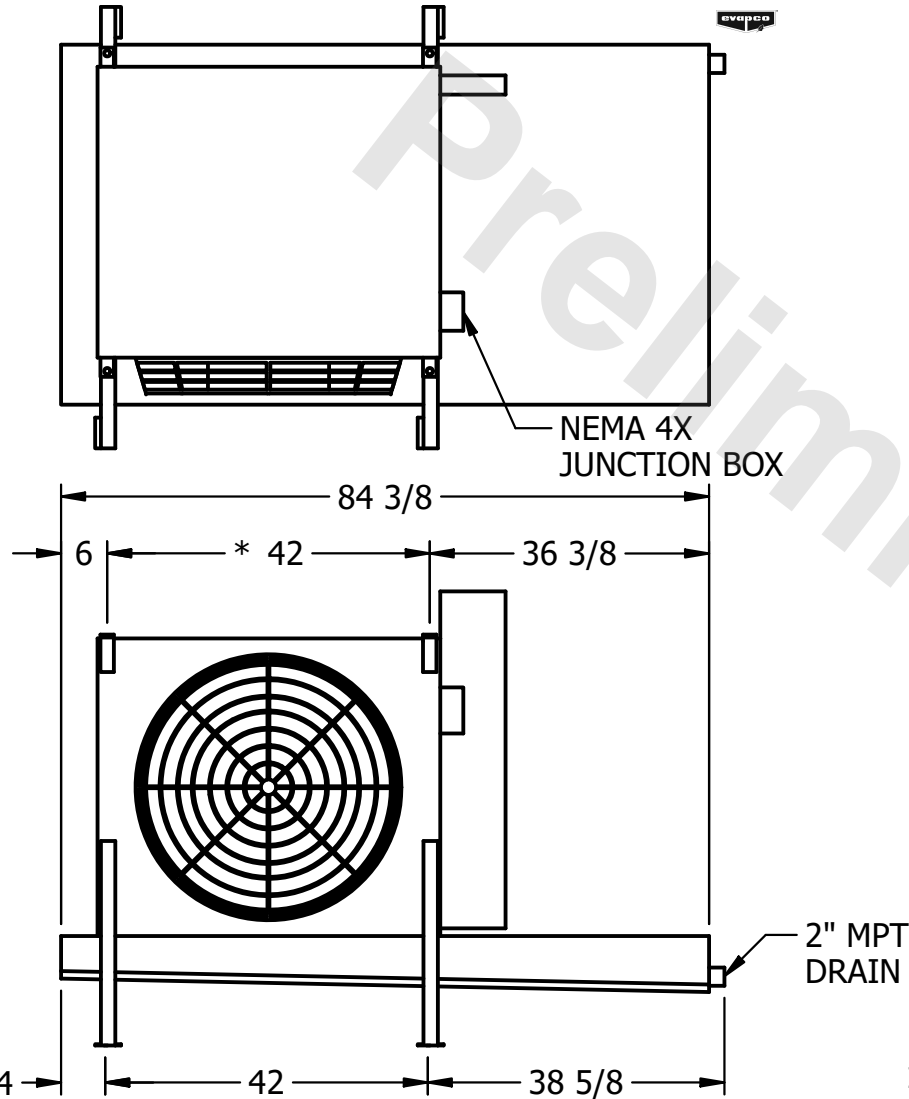


**CONFIDENTIAL**

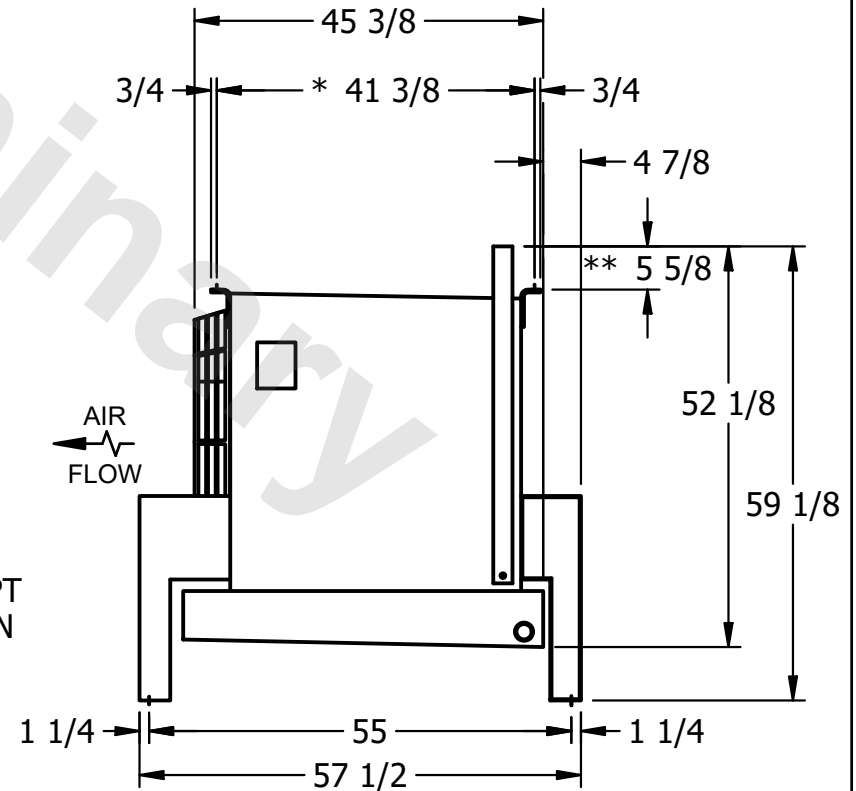
This document is the property of Evapco, Inc. It should not be copied or disclosed without prior written authorization.

|          |                                |              |                         |        |                |
|----------|--------------------------------|--------------|-------------------------|--------|----------------|
| CUSTOMER | MODEL # U-EJETME1-963H0200F1LA | SCALE N.T.S. | DWG. # UEJETM1-SE-16,18 | REV. 0 | DATE 4/13/2026 |
|----------|--------------------------------|--------------|-------------------------|--------|----------------|



**NOTES:**

- 1) \* = HANGER HOLE LOCATION.
- 2) RIGHT HAND MODEL SHOWN.
- 3) HANGER HOLES ARE FOR 3/4 INCH THREADED ROD.
- 4) WATER DEFROST ADDS 1 3/4" INCHES TO HEIGHT OF STANDARD UNIT AND CHANGES DRAIN SIZE.
- 5) ALL DIMENSIONS ARE FOR REFERENCE AND SHOULD NOT BE USED FOR PREFABRICATION OF PIPING OR SUPPORTS.
- 6) \*\*= HEIGHT OF SUCTION HEADER AND INSTALLED THERMOWELL FITTING ABOVE CABINET. CUSTOMER IS RESPONSIBLE TO ACCOUNT FOR ADDITIONAL HEIGHT NECESSARY FOR RTD AND ACCESS.



|         |      |                                    |                                     |
|---------|------|------------------------------------|-------------------------------------|
| PROJECT | ROOM | SHIPPING WEIGHT 610 lbs+ [280] kg+ | OPERATING WEIGHT 670 lbs+ [305] kg+ |
|---------|------|------------------------------------|-------------------------------------|