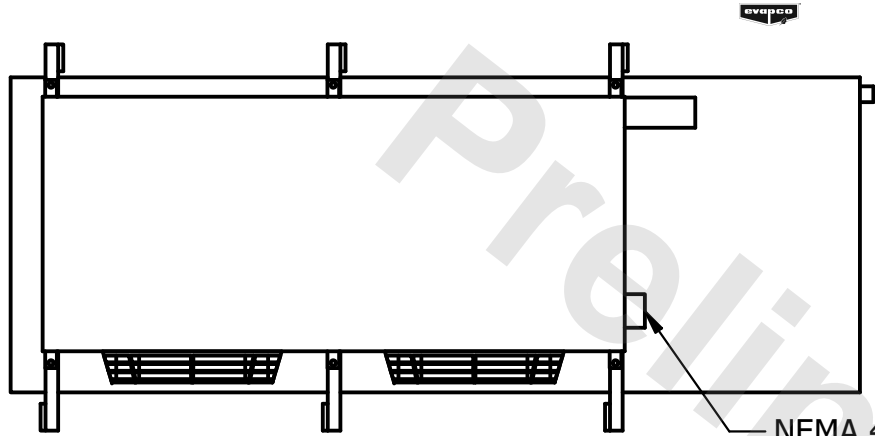


**CONFIDENTIAL**

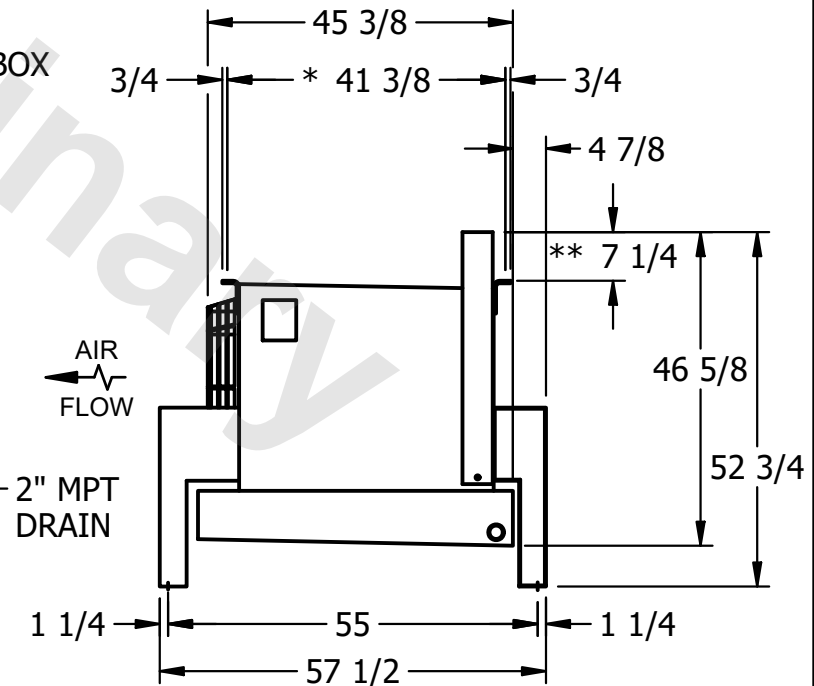
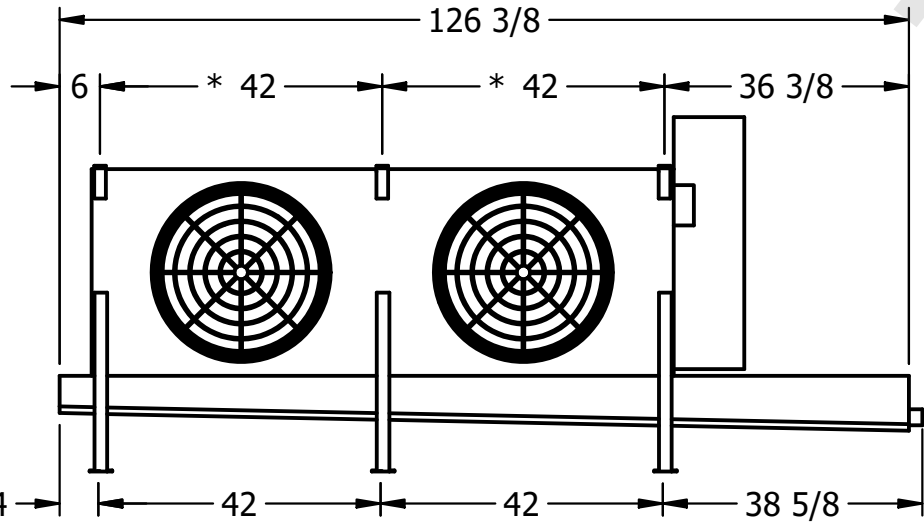
This document is the property of Evapco, Inc. It should not be copied or disclosed without prior written authorization.

|          |                                 |              |                         |        |                |
|----------|---------------------------------|--------------|-------------------------|--------|----------------|
| CUSTOMER | MODEL # U-EJETME2-1646F0033C1KA | SCALE N.T.S. | DWG. # UEJETM2-SE-12,14 | REV. 0 | DATE 7/10/2025 |
|----------|---------------------------------|--------------|-------------------------|--------|----------------|



**NOTES:**

- 1) \* = HANGER HOLE LOCATION.
- 2) RIGHT HAND MODEL SHOWN.
- 3) HANGER HOLES ARE FOR 3/4 INCH THREADED ROD.
- 4) WATER DEFROST ADDS 1 3/4" INCHES TO HEIGHT OF STANDARD UNIT AND CHANGES DRAIN SIZE.
- 5) ALL DIMENSIONS ARE FOR REFERENCE AND SHOULD NOT BE USED FOR PREFABRICATION OF PIPING OR SUPPORTS.
- 6) \*\*= HEIGHT OF SUCTION HEADER AND INSTALLED THERMOWELL FITTING ABOVE CABINET. CUSTOMER IS RESPONSIBLE TO ACCOUNT FOR ADDITIONAL HEIGHT NECESSARY FOR RTD AND ACCESS.



|         |      |                 |                    |                  |                     |
|---------|------|-----------------|--------------------|------------------|---------------------|
| PROJECT | ROOM | SHIPPING WEIGHT | 900 lbs+ [410] kg+ | OPERATING WEIGHT | 1000 lbs+ [455] kg+ |
|---------|------|-----------------|--------------------|------------------|---------------------|