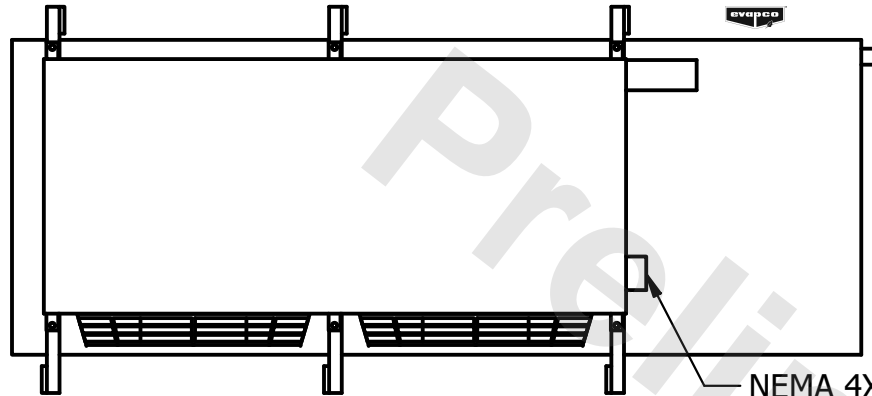


CONFIDENTIAL

This document is the property of Evapco, Inc. It should not be copied or disclosed without prior written authorization.

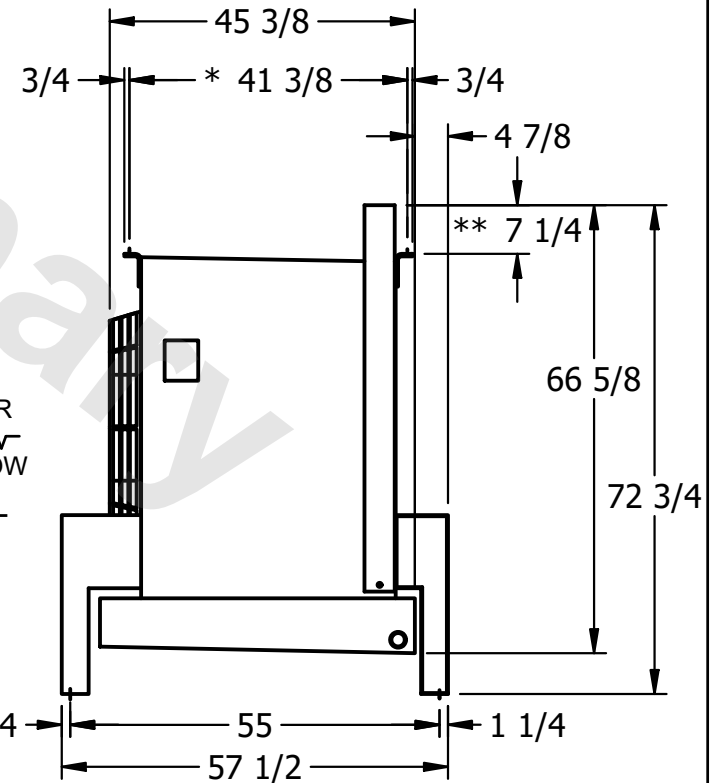
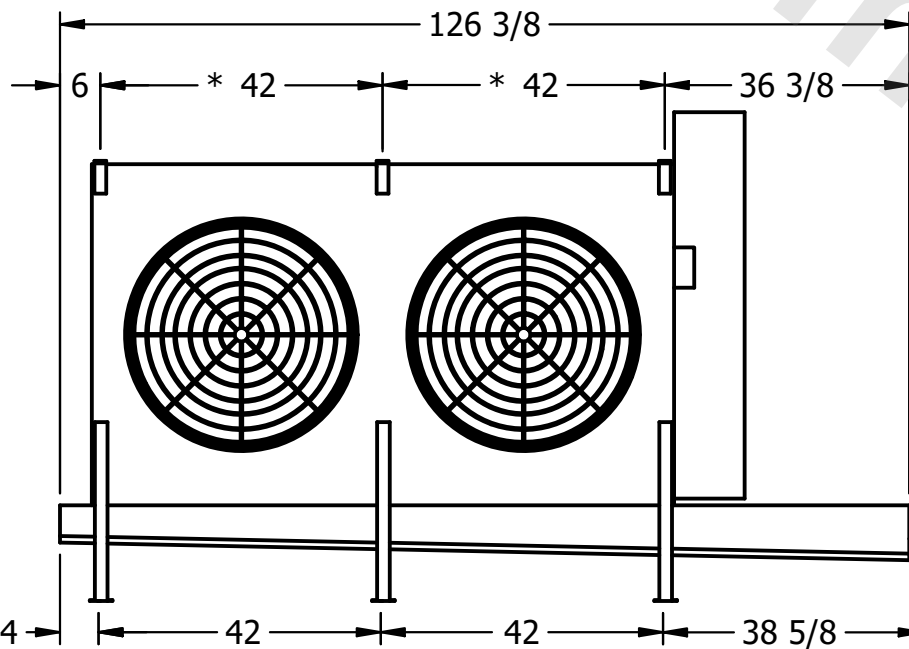
| | | | | | |
|----------|----------------------------------|--------------|----------------------|--------|-----------------|
| CUSTOMER | MODEL # U-EJETME2-28106F0100F1LA | SCALE N.T.S. | DWG. # UEJETM2-SE-24 | REV. 0 | DATE 11/21/2025 |
|----------|----------------------------------|--------------|----------------------|--------|-----------------|



NOTES:

- 1) * = HANGER HOLE LOCATION.
- 2) RIGHT HAND MODEL SHOWN.
- 3) HANGER HOLES ARE FOR 3/4 INCH THREADED ROD.
- 4) WATER DEFROST ADDS 1 3/4" INCHES TO HEIGHT OF STANDARD UNIT AND CHANGES DRAIN SIZE.
- 5) ALL DIMENSIONS ARE FOR REFERENCE AND SHOULD NOT BE USED FOR PREFABRICATION OF PIPING OR SUPPORTS.
- 6) **= HEIGHT OF SUCTION HEADER AND INSTALLED THERMOWELL FITTING ABOVE CABINET. CUSTOMER IS RESPONSIBLE TO ACCOUNT FOR ADDITIONAL HEIGHT NECESSARY FOR RTD AND ACCESS.

NEMA 4X JUNCTION BOX



2" MPT DRAIN

| | | | | | |
|---------|------|-----------------|---------------------|------------------|---------------------|
| PROJECT | ROOM | SHIPPING WEIGHT | 1570 lbs+ [715] kg+ | OPERATING WEIGHT | 2000 lbs+ [910] kg+ |
|---------|------|-----------------|---------------------|------------------|---------------------|