

**CONFIDENTIAL**

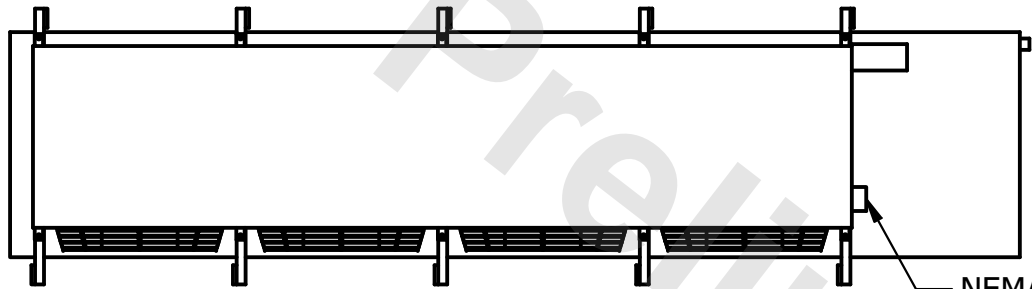
This document is the property of Evapco, Inc. It should not be copied or disclosed without prior written authorization.

|          |                                 |              |                      |        |                 |
|----------|---------------------------------|--------------|----------------------|--------|-----------------|
| CUSTOMER | MODEL # U-EJETME4-5663F0100F1KA | SCALE N.T.S. | DWG. # UEJETM4-SE-24 | REV. 0 | DATE 11/18/2025 |
|----------|---------------------------------|--------------|----------------------|--------|-----------------|

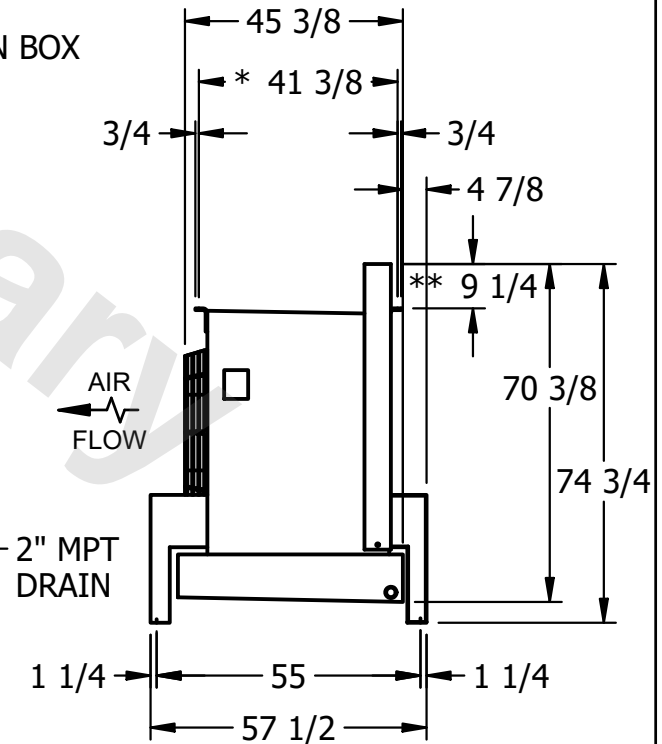
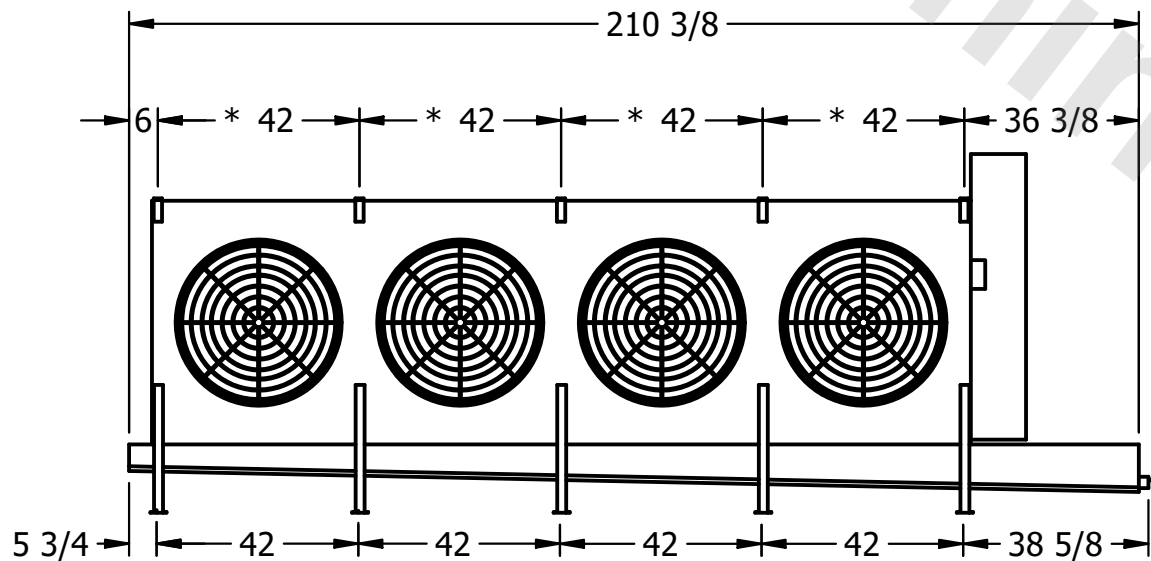


**NOTES:**

- 1) \* = HANGER HOLE LOCATION.
- 2) RIGHT HAND MODEL SHOWN.
- 3) HANGER HOLES ARE FOR 3/4 INCH THREADED ROD.
- 4) WATER DEFROST ADDS 1 3/4" INCHES TO HEIGHT OF STANDARD UNIT AND CHANGES DRAIN SIZE.
- 5) ALL DIMENSIONS ARE FOR REFERENCE AND SHOULD NOT BE USED FOR PREFABRICATION OF PIPING OR SUPPORTS.
- 6) \*\*= HEIGHT OF SUCTION HEADER AND INSTALLED THERMOWELL FITTING ABOVE CABINET. CUSTOMER IS RESPONSIBLE TO ACCOUNT FOR ADDITIONAL HEIGHT NECESSARY FOR RTD AND ACCESS.



NEMA 4X  
JUNCTION BOX



|         |      |                                     |                                       |
|---------|------|-------------------------------------|---------------------------------------|
| PROJECT | ROOM | SHIPPING WEIGHT 2020 lbs+ [920] kg+ | OPERATING WEIGHT 2360 lbs+ [1075] kg+ |
|---------|------|-------------------------------------|---------------------------------------|