

CONFIDENTIAL

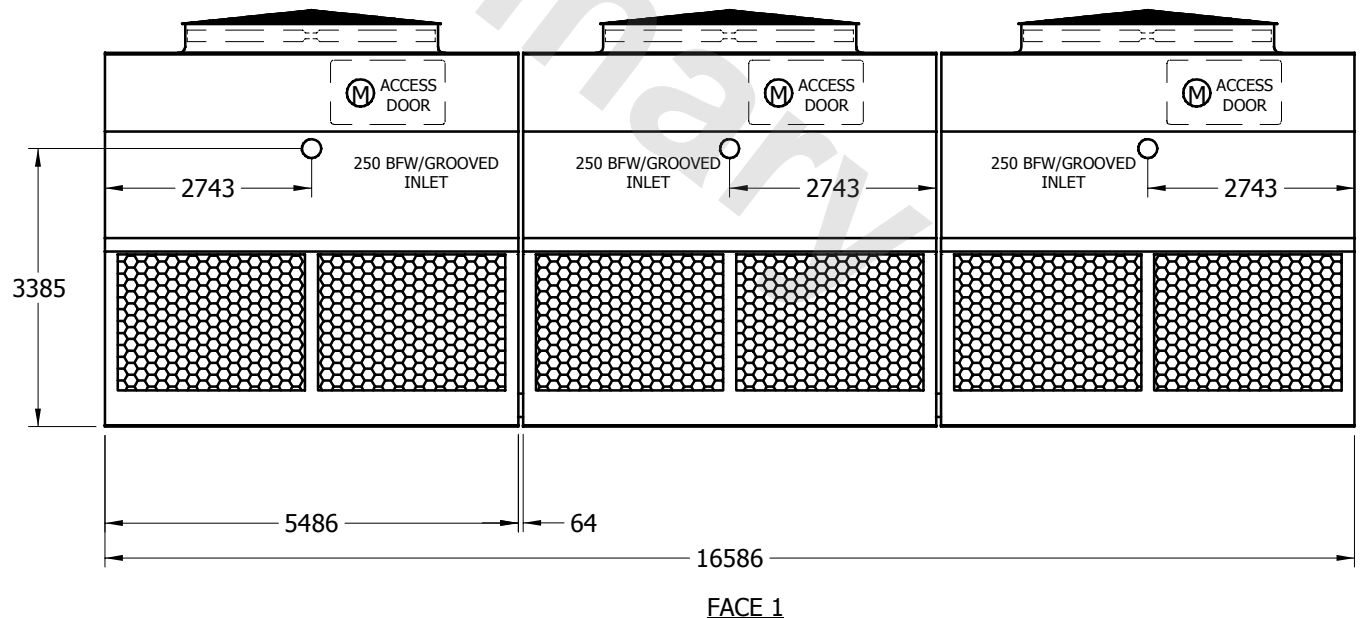
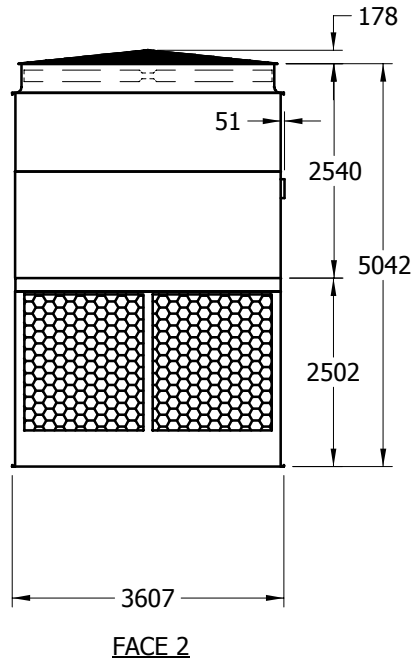
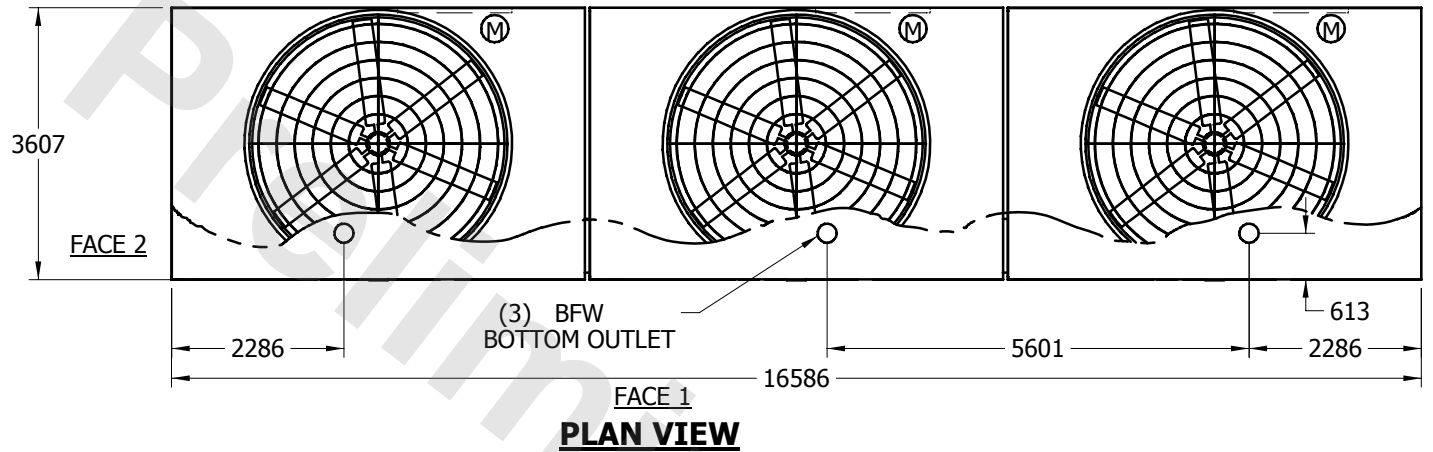
This document is the property of Evapco, Inc. It should not be copied or disclosed without prior written authorization.

# EVAPCO, INC.



<b>UNIT</b> <b>COOLING TOWER</b>	<b>MODEL #</b> PMC-983E	<b>SCALE</b> NTS	<b>DWG. #</b> T2125424-MRB-RS	<b>REV.</b>	<b>DATE</b> 4/15/2021	<b>SERIAL #</b>
-------------------------------------	----------------------------	---------------------	----------------------------------	-------------	--------------------------	-----------------

- NOTES:
1. (M)- FAN MOTOR LOCATION
  2. HEAVIEST SECTION IS UPPER SECTION
  3. MPT DENOTES MALE PIPE THREAD  
FPT DENOTES FEMALE PIPE THREAD  
BFW DENOTES BEVELED FOR WELDING
  4. + UNIT WEIGHT DOES NOT INCLUDE ACCESSORIES (SEE SEPARATE DRAWINGS FOR ACCESSORIES)
  5. 19mm DIA. MOUNTING HOLES. REFER TO RECOMMENDED STEEL SUPPORT DRAWING



<b>SHIPPING WEIGHT</b> 14995	<b>kg +</b>	<b>OPERATING WEIGHT</b> 20140	<b>kg</b>	<b>HEAVIEST SECTION WEIGHT</b> 3255	<b>kg</b>	<b>NO. OF SHIPPING SECTIONS</b> 6
---------------------------------	-------------	----------------------------------	-----------	--	-----------	--------------------------------------