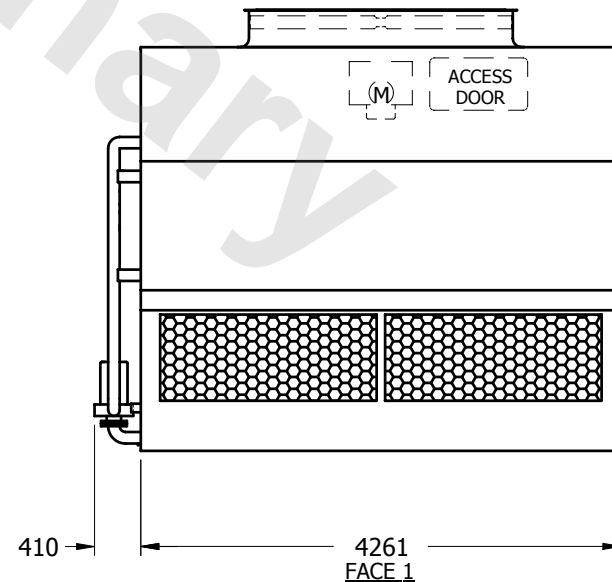
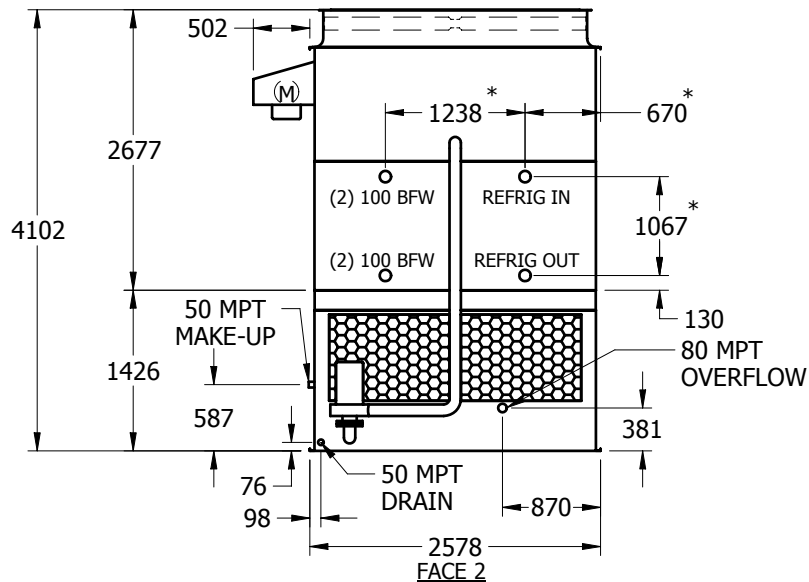
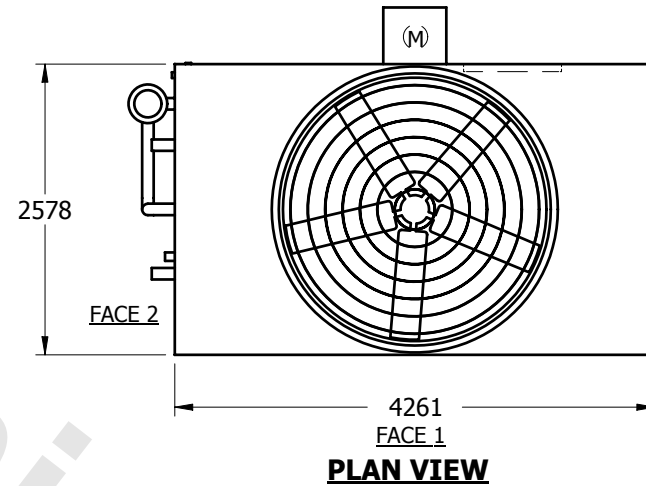


EVAPCO, INC.



UNIT	EVAPORATIVE CONDENSER	MODEL #	PMC-992E	SCALE	NTS	DWG. #	C2091412-MRC-LF	REV.		DATE	4/19/2021	SERIAL #	
-------------	------------------------------	----------------	----------	--------------	-----	---------------	-----------------	-------------	--	-------------	-----------	-----------------	--

- NOTES:
- (M)- FAN MOTOR LOCATION
 - HEAVIEST SECTION IS UPPER SECTION
 - MPT DENOTES MALE PIPE THREAD
FPT DENOTES FEMALE PIPE THREAD
BFW DENOTES BEVELED FOR WELDING
 - + UNIT WEIGHT DOES NOT INCLUDE ACCESSORIES (SEE SEPARATE DRAWINGS FOR ACCESSORIES)
 - 19mm DIA. MOUNTING HOLES. REFER TO RECOMMENDED STEEL SUPPORT DRAWING
 - MAKE-UP WATER PRESSURE-137 kPa MIN, 344 kPa MAX
 - *- APPROXIMATE DIMENSIONS DO NOT USE FOR PRE-FABRICATION OF CONNECTING PIPING
 - MAKE-UP IS LOCATED 121mm FROM CONNECTION END



SHIPPING WEIGHT	8135	kg +	OPERATING WEIGHT	10630	kg	HEAVIEST SECTION WEIGHT	7215	kg	NO. OF SHIPPING SECTIONS	2
------------------------	------	-------------	-------------------------	-------	-----------	--------------------------------	------	-----------	---------------------------------	---