

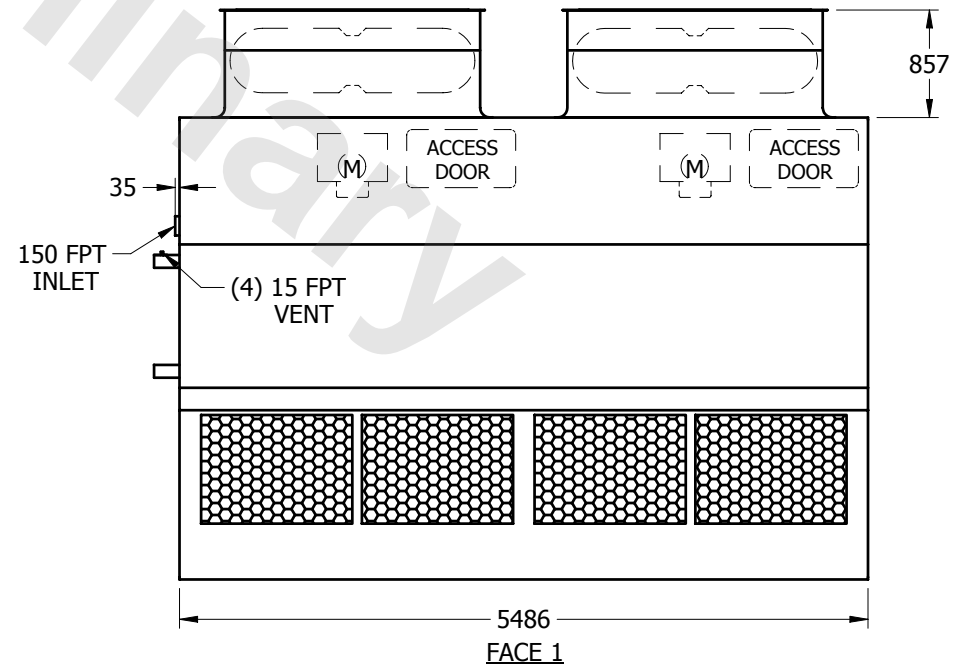
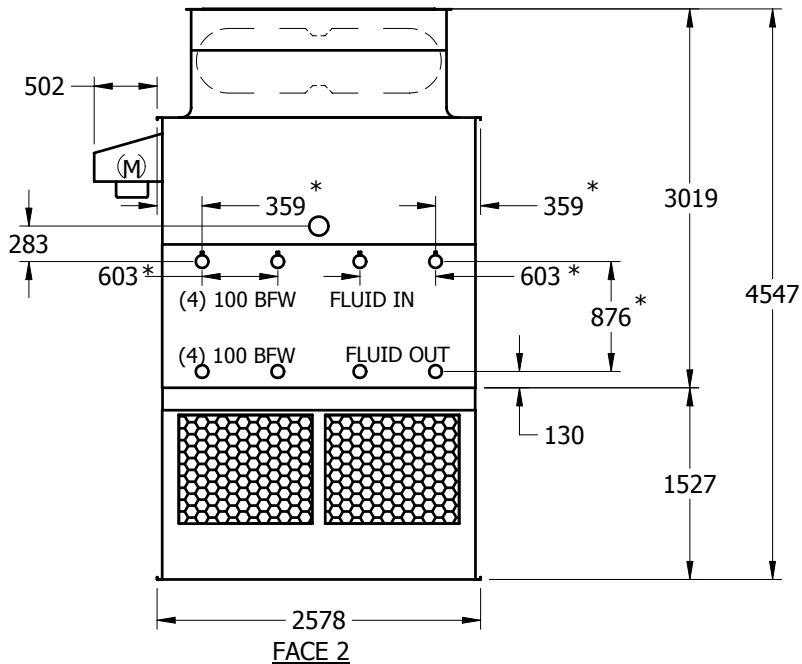
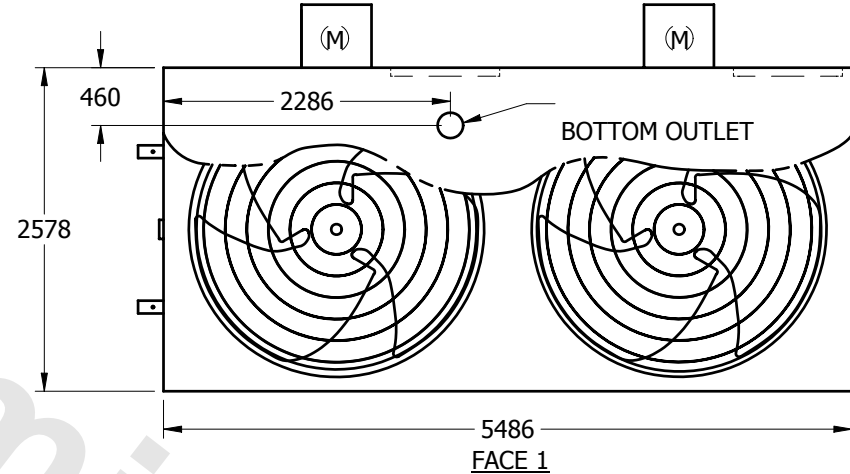
EVAPCO, INC.



UNIT	CLOSED CIRCUIT COOLER	MODEL #	AT 428-4P48	SCALE	NTS	DWG. #	W2091810-MRA-SLHR	REV.		DATE	4/4/2026	SERIAL #	
-------------	------------------------------	----------------	-------------	--------------	-----	---------------	-------------------	-------------	--	-------------	----------	-----------------	--

- NOTES:
- (M)- FAN MOTOR LOCATION
 - HEAVIEST SECTION IS UPPER SECTION
 - MPT DENOTES MALE PIPE THREAD
FPT DENOTES FEMALE PIPE THREAD
BFW DENOTES BEVELED FOR WELDING
 - + UNIT WEIGHT DOES NOT INCLUDE ACCESSORIES (SEE SEPARATE DRAWINGS FOR ACCESSORIES)
 - 19mm DIA. MOUNTING HOLES. REFER TO RECOMMENDED STEEL SUPPORT DRAWING
 - THE SPRAY PUMP SHOULD BE SIZED FOR 50 L/S AND 17 kPa AT THE INLET CONNECTION
 - *- APPROXIMATE DIMENSIONS DO NOT USE FOR PRE-FABRICATION OF CONNECTING PIPING

**FACE 2
PLAN VIEW**



SHIPPING WEIGHT	9745	kg +	OPERATING WEIGHT	13300	kg	HEAVIEST SECTION WEIGHT	8475	kg	NO. OF SHIPPING SECTIONS	2
------------------------	------	-------------	-------------------------	-------	-----------	--------------------------------	------	-----------	---------------------------------	---