

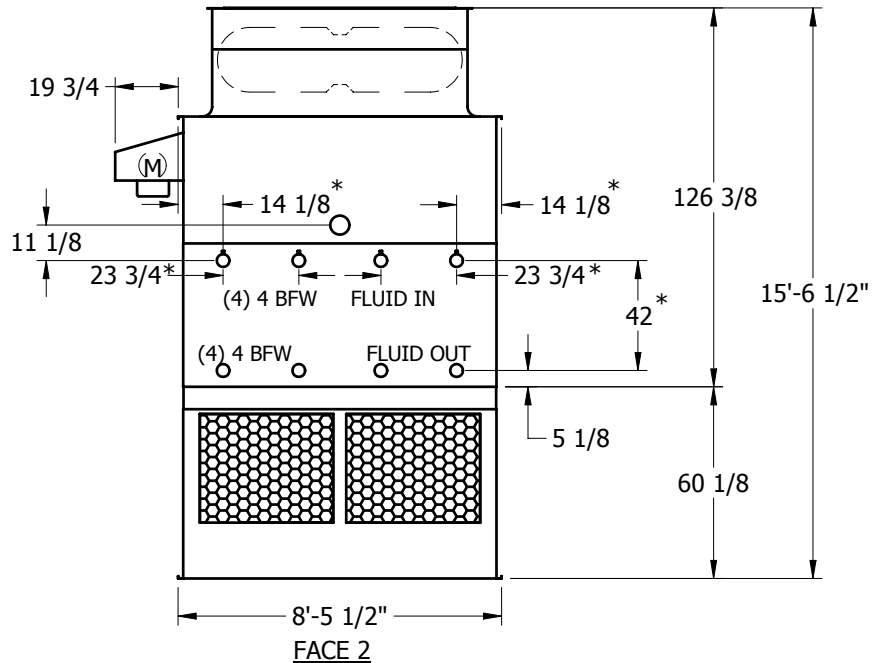
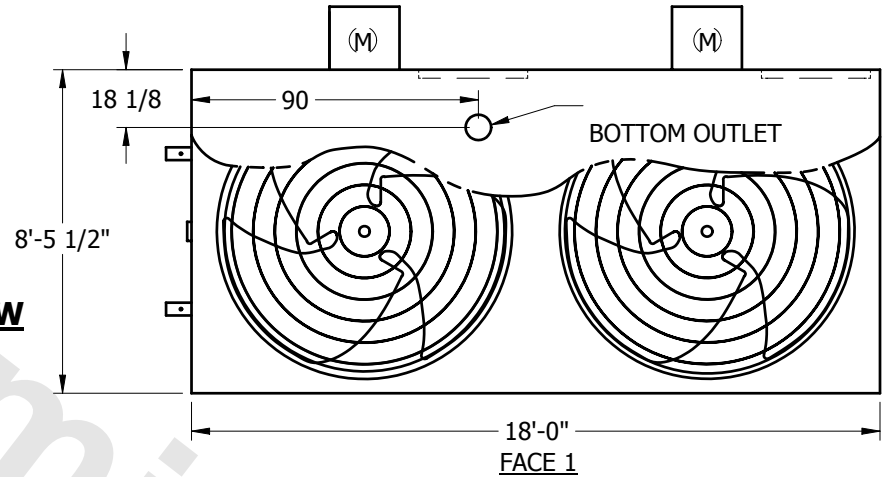
EVAPCO, INC.



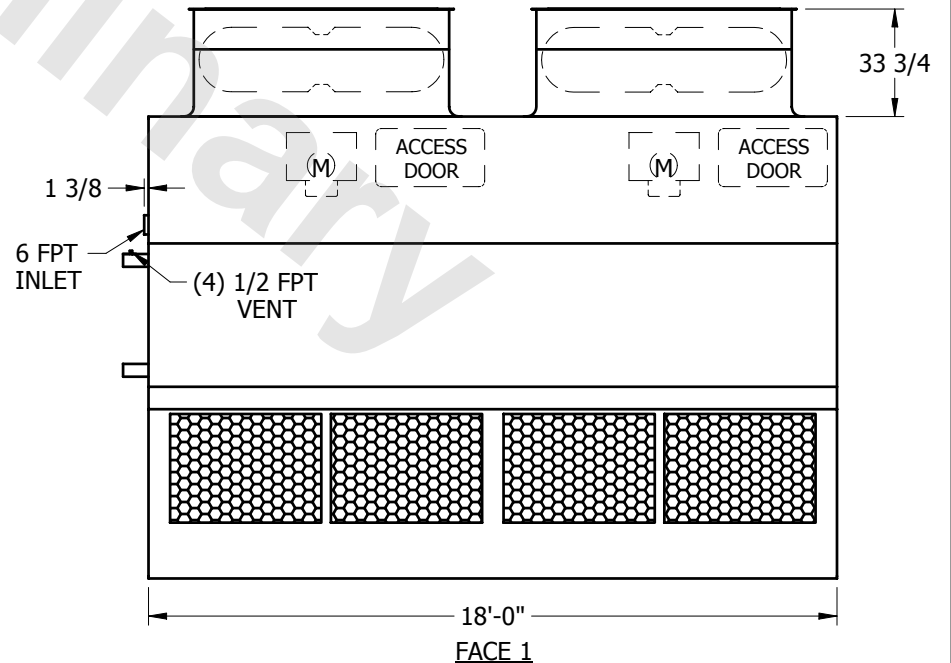
UNIT	CLOSED CIRCUIT COOLER	MODEL #	AT 428-4P48	SCALE	NTS	DWG. #	W2091812-ERA-SLHR	REV.		DATE	4/4/2026	SERIAL #	
-------------	------------------------------	----------------	-------------	--------------	-----	---------------	-------------------	-------------	--	-------------	----------	-----------------	--

- NOTES:
- (M)- FAN MOTOR LOCATION
 - HEAVIEST SECTION IS UPPER SECTION
 - MPT DENOTES MALE PIPE THREAD
FPT DENOTES FEMALE PIPE THREAD
BFW DENOTES BEVELED FOR WELDING
 - + UNIT WEIGHT DOES NOT INCLUDE ACCESSORIES (SEE SEPARATE DRAWINGS FOR ACCESSORIES)
 - 3/4" DIA. MOUNTING HOLES. REFER TO RECOMMENDED STEEL SUPPORT DRAWING
 - THE SPRAY PUMP SHOULD BE SIZED FOR 800 GPM AND 2.5 PSIG AT THE INLET CONNECTION
 - *- APPROXIMATE DIMENSIONS DO NOT USE FOR PRE-FABRICATION OF CONNECTING PIPING

**FACE 2
PLAN VIEW**



FACE 2



FACE 1

SHIPPING WEIGHT	24260	lbs. +	OPERATING WEIGHT	33060	lbs.	HEAVIEST SECTION WEIGHT	21460	lbs.	NO. OF SHIPPING SECTIONS	2
------------------------	-------	---------------	-------------------------	-------	-------------	--------------------------------	-------	-------------	---------------------------------	---