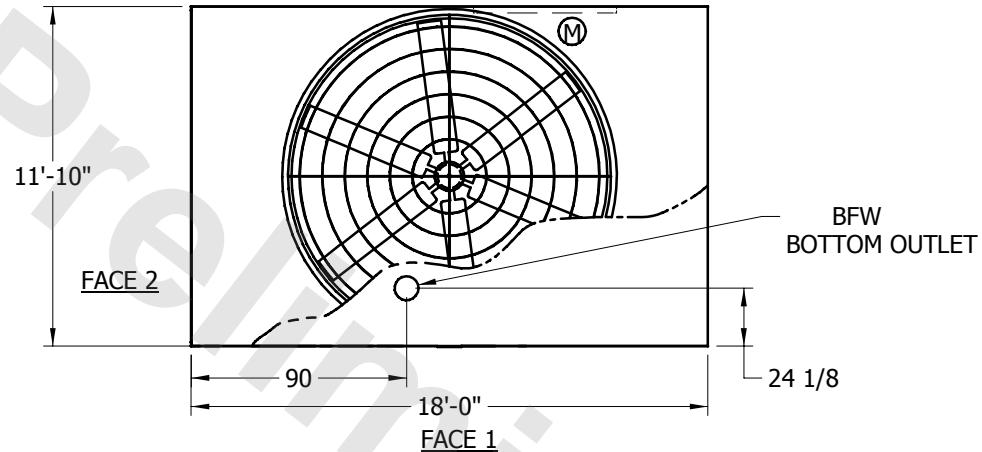


EVAPCO, INC.

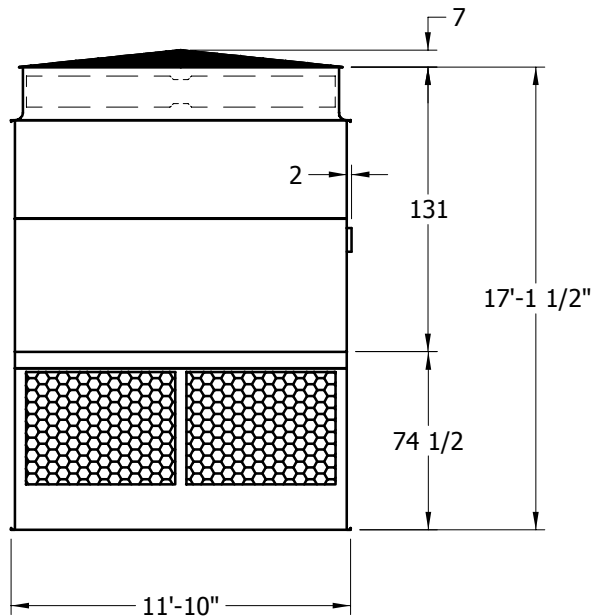


UNIT	COOLING TOWER	MODEL #	AT 220-3J18	SCALE	NTS	DWG. #	T2121848-ERA-RL	REV.		DATE	4/4/2026	SERIAL #	
-------------	----------------------	----------------	-------------	--------------	-----	---------------	-----------------	-------------	--	-------------	----------	-----------------	--

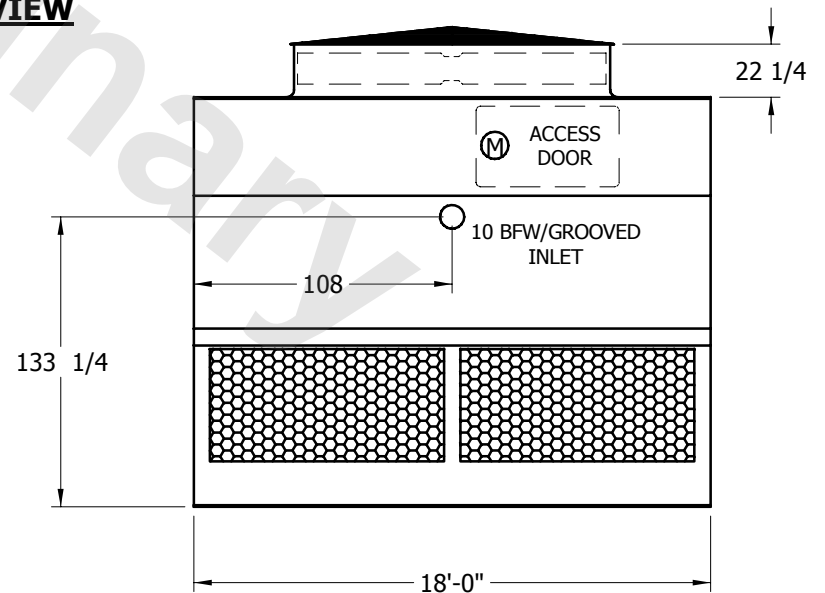
- NOTES:
1. (M) - FAN MOTOR LOCATION
 2. HEAVIEST SECTION IS UPPER SECTION
 3. MPT DENOTES MALE PIPE THREAD
FPT DENOTES FEMALE PIPE THREAD
BFW DENOTES BEVELED FOR WELDING
 4. + UNIT WEIGHT DOES NOT INCLUDE ACCESSORIES (SEE SEPARATE DRAWINGS FOR ACCESSORIES)
 5. 3/4" DIA. MOUNTING HOLES. REFER TO RECOMMENDED STEEL SUPPORT DRAWING



PLAN VIEW



FACE 2



FACE 1

SHIPPING WEIGHT	12720	lbs. +	OPERATING WEIGHT	16500	lbs.	HEAVIEST SECTION WEIGHT	9160	lbs.	NO. OF SHIPPING SECTIONS	2
------------------------	-------	---------------	-------------------------	-------	-------------	--------------------------------	------	-------------	---------------------------------	---