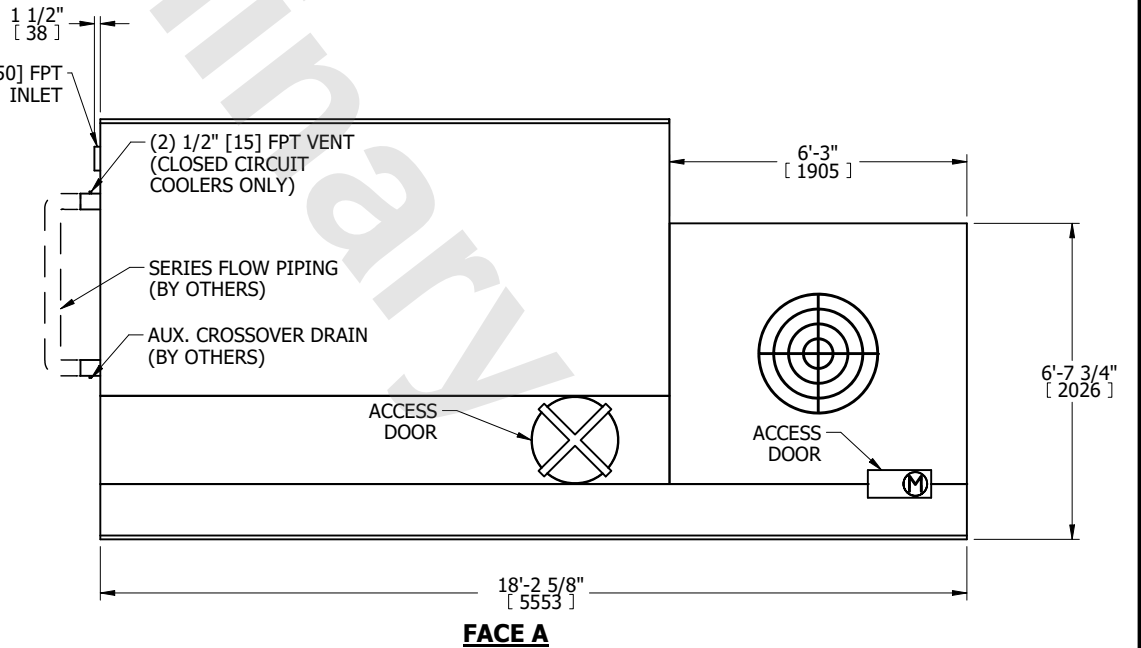
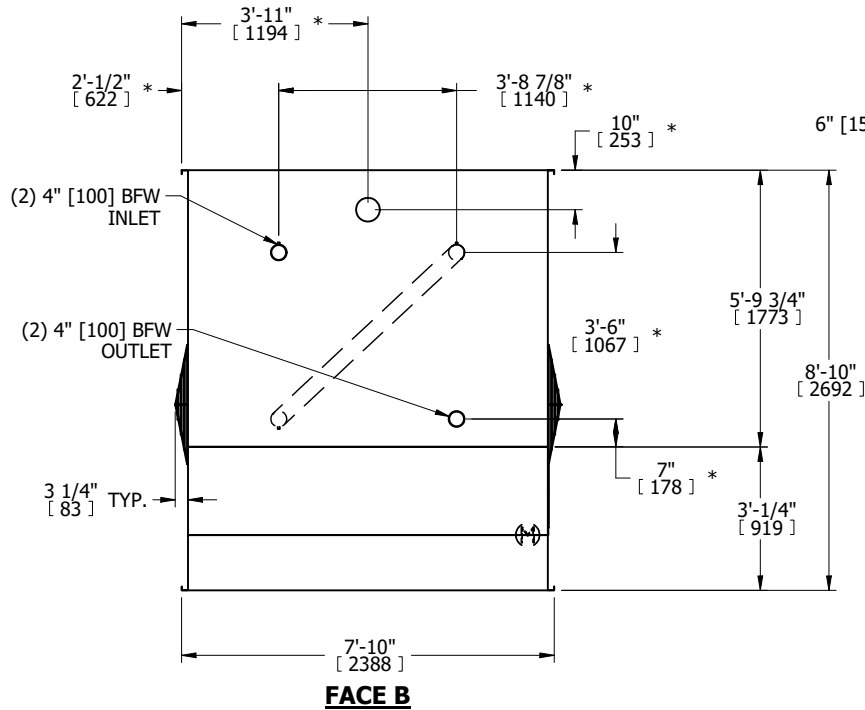
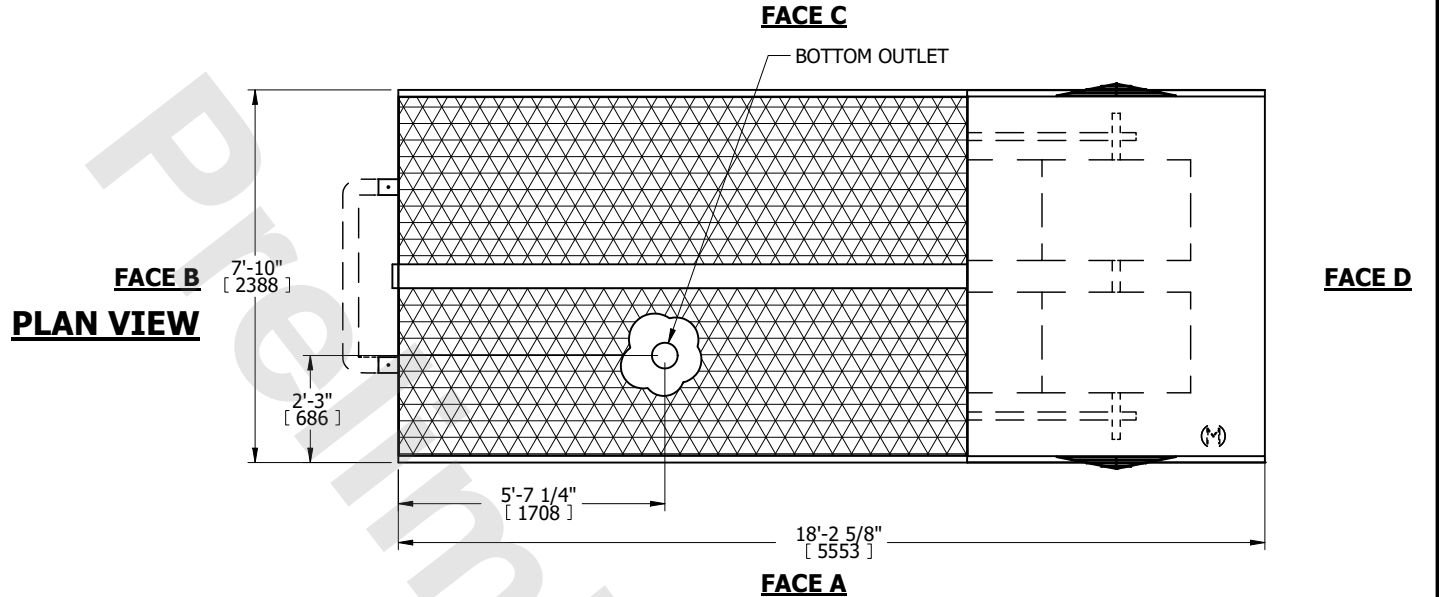


UNIT	CONDENSER	
MODEL #	eco-ATC-M228A	SCALE NTS

EVAPCO, INC.

DWG. #	WV081212-DRD-SR	REV.	-
SERIAL #		DATE	4/7/2026

- NOTES:
- (M)- FAN MOTOR LOCATION
 - MPT DENOTES MALE PIPE THREAD
FPT DENOTES FEMALE PIPE THREAD
BFW DENOTES BEVELED FOR WELDING
GVD DENOTES GROOVED
FLG DENOTES FLANGE
 - +UNIT WEIGHT DOES NOT INCLUDE ACCESSORIES (SEE ACCESSORY DRAWINGS)
 - 3/4" [19mm] DIA. MOUNTING HOLES. REFER TO RECOMMENDED STEEL SUPPORT DRAWING
 - DIMENSIONS LISTED AS FOLLOWS: ENGLISH FT IN [METRIC] [mm]
 - * - APPROXIMATE DIMENSIONS DO NOT USE FOR PRE-FABRICATION OF CONNECTING PIPING
 - THE SPRAY PUMP SHOULD BE SIZED FOR 545 gpm [41.2 l/s] AND 2.5 psi [17.2 kPa] AT THE INLET CONNECTION(S)
 - SERIES FLOW PIPING AND AUX. CROSSOVER DRAIN ARE BY OTHERS
 - VENT PROVIDED ON CLOSED CIRCUIT COOLERS ONLY



SHIPPING WEIGHT	10490 lbs+ [4760] kg+	OPERATING WEIGHT	13310 lbs+ [6040] kg+	HEAVIEST SECTION WEIGHT	9090 lbs+ [4125] kg+	NO. OF SHIPPING SECTIONS	2	DRAWN BY:	TLS
-----------------	-----------------------	------------------	-----------------------	-------------------------	----------------------	--------------------------	---	-----------	-----