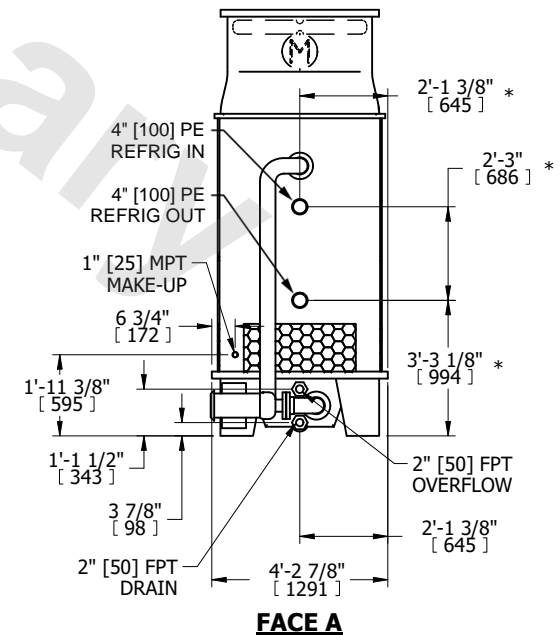
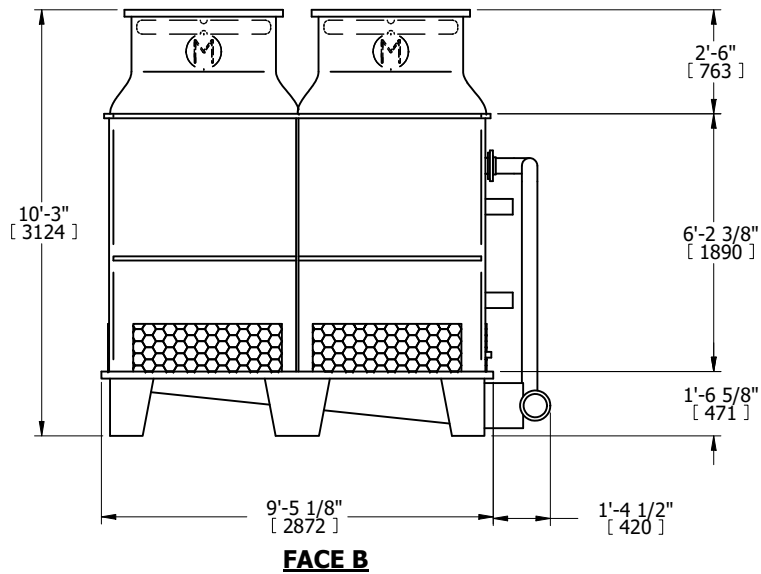
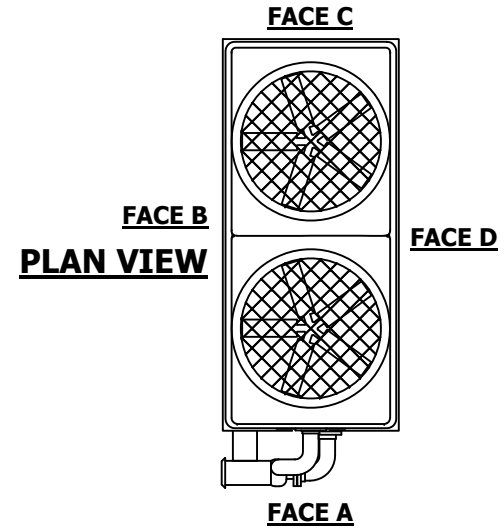


UNIT	CONDENSER	
MODEL #	MTC-104A	SCALE NTS

EVAPCO, INC.

DWG. #	MW040908-DRD-ST	REV.	-
SERIAL #		DATE	5/26/2022

- NOTES:
- (M)- FAN MOTOR LOCATION
 - MPT DENOTES MALE PIPE THREAD
FPT DENOTES FEMALE PIPE THREAD
BFW DENOTES BEVELED FOR WELDING
GVD DENOTES GROOVED
FLG DENOTES FLANGE
PE DENOTES PLAIN END
 - +UNIT WEIGHT DOES NOT INCLUDE ACCESSORIES (SEE ACCESSORY DRAWINGS)
 - MAKE-UP WATER PRESSURE
20 psi [137 kPa] MIN,
50 psi [344 kPa] MAX
 - PIPEWORK MUST NOT BE SUPPORTED OFF UNIT
 - *-APPROXIMATE DIMENSIONS DO NOT USE FOR PRE-FABRICATION OF CONNECTING PIPING
 - DIMENSIONS LISTED AS FOLLOWS:
ENGLISH FT-IN
[METRIC] MM



SHIPPING WEIGHT	3960 lbs+ [1800] kg+	OPERATING WEIGHT	4980 lbs+ [2260] kg+	HEAVIEST SECTION WEIGHT	3960 lbs+ [1800] kg+	NO. OF SHIPPING SECTIONS	1	DRAWN BY:	JLM
-----------------	----------------------	------------------	----------------------	-------------------------	----------------------	--------------------------	---	-----------	-----