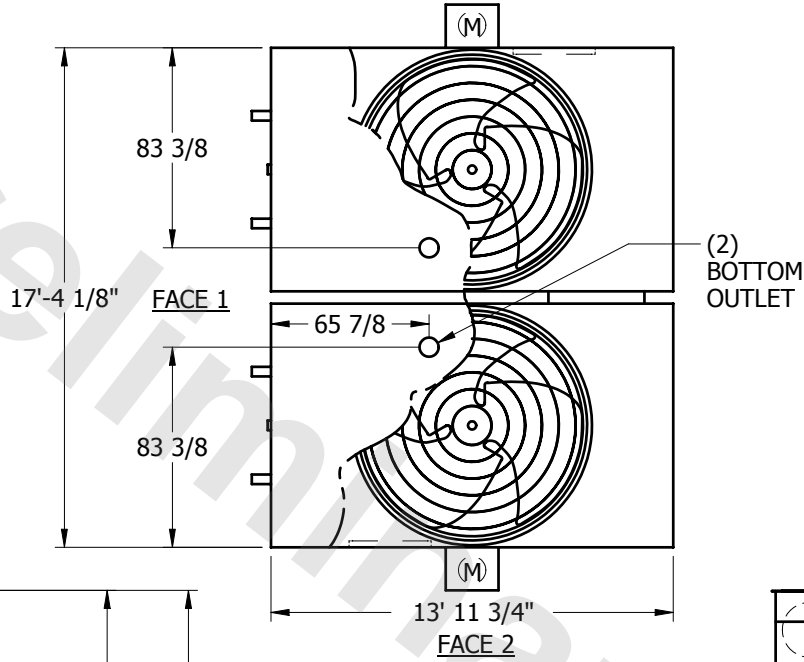


EVAPCO, INC.

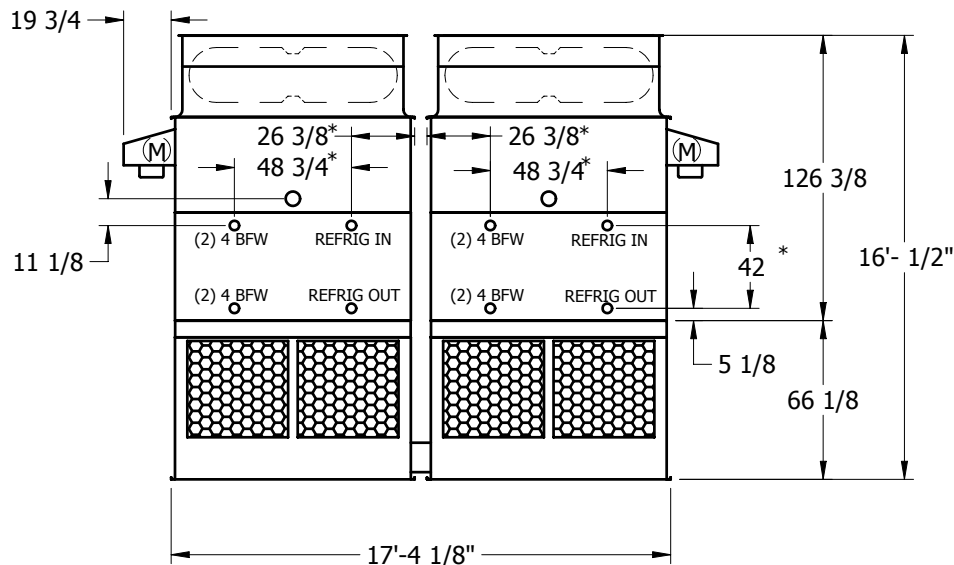


UNIT	EVAPORATIVE CONDENSER	MODEL #	ATC-1003E	SCALE	NTS	DWG. #	C2171412-ERA-SRL	REV.		DATE	5/26/2022	SERIAL #	
-------------	------------------------------	----------------	-----------	--------------	-----	---------------	------------------	-------------	--	-------------	-----------	-----------------	--

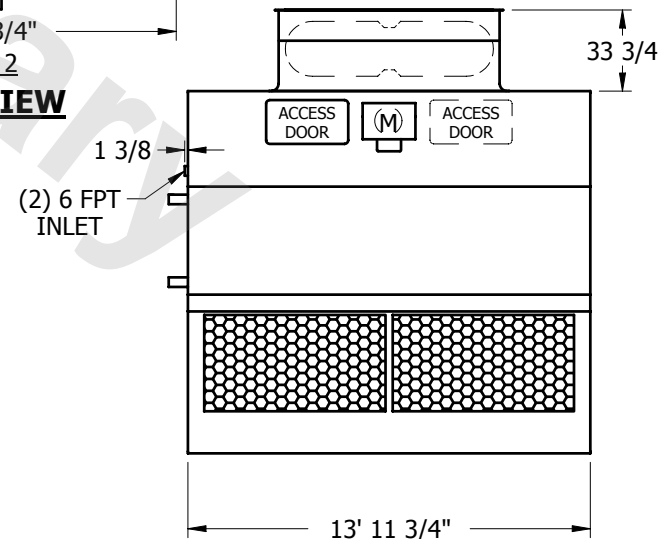
- NOTES:
- (M)- FAN MOTOR LOCATION
 - HEAVIEST SECTION IS UPPER SECTION
 - MPT DENOTES MALE PIPE THREAD
FPT DENOTES FEMALE PIPE THREAD
BFW DENOTES BEVELED FOR WELDING
 - + UNIT WEIGHT DOES NOT INCLUDE ACCESSORIES (SEE SEPARATE DRAWINGS FOR ACCESSORIES)
 - 3/4" DIA. MOUNTING HOLES. REFER TO RECOMMENDED STEEL SUPPORT DRAWING
 - THE SPRAY PUMP SHOULD BE SIZED FOR 1200 GPM AND 2.5 PSIG AT THE INLET CONNECTION
 - *- APPROXIMATE DIMENSIONS DO NOT USE FOR PRE-FABRICATION OF CONNECTING PIPING



PLAN VIEW



FACE 1



FACE 2

SHIPPING WEIGHT	36200	lbs. +	OPERATING WEIGHT	43290	lbs.	HEAVIEST SECTION WEIGHT	16080	NO. OF SHIPPING SECTIONS		lbs.	kg
------------------------	-------	---------------	-------------------------	-------	-------------	--------------------------------	-------	---------------------------------	--	-------------	-----------