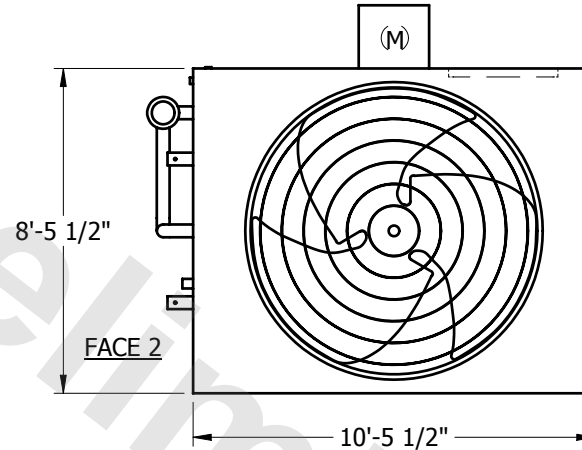


EVAPCO, INC.

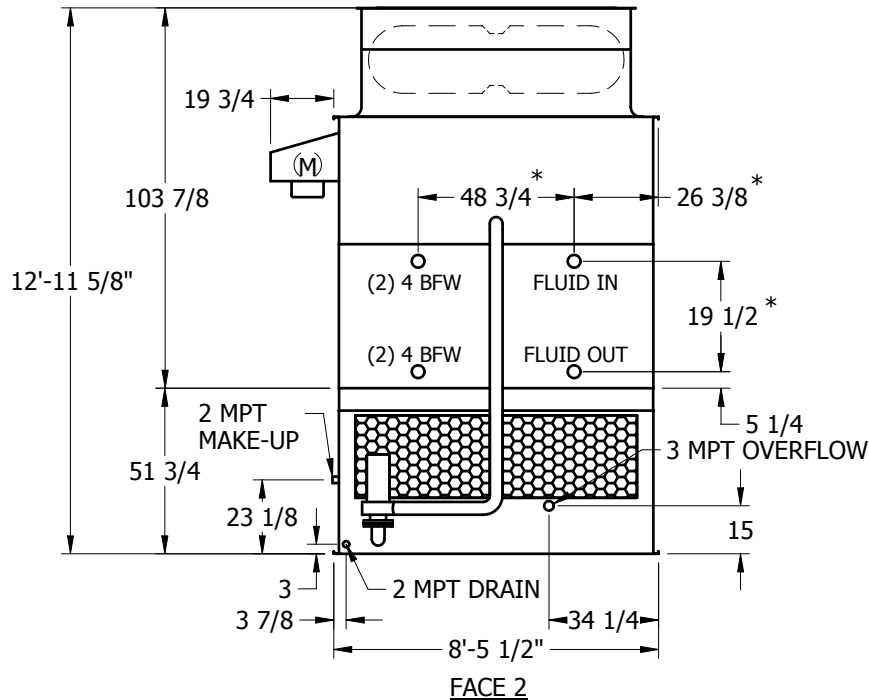


UNIT	CLOSED CIRCUIT COOLER	MODEL #		SCALE	NTS	DWG. #	W2091106-ERA-SLF	REV.		DATE		SERIAL #	
-------------	------------------------------	----------------	--	--------------	-----	---------------	------------------	-------------	--	-------------	--	-----------------	--

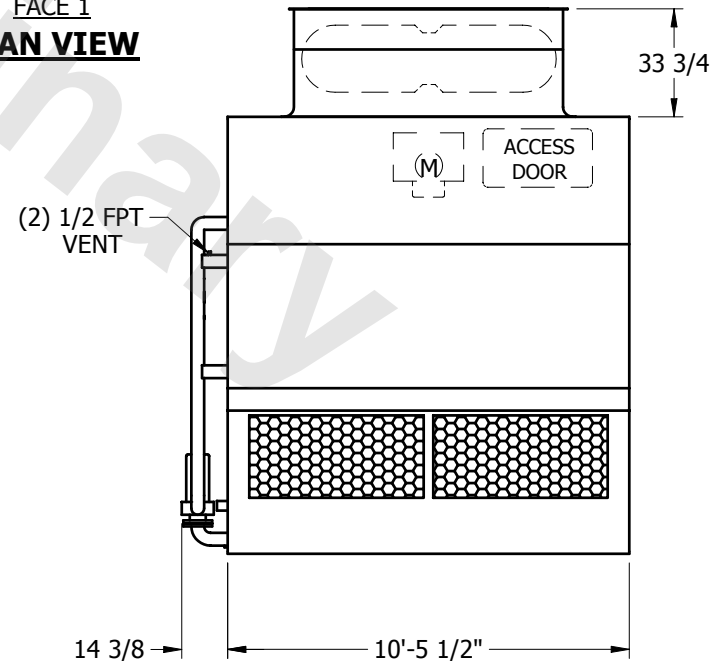
- NOTES:
- (M)- FAN MOTOR LOCATION
 - HEAVIEST SECTION IS UPPER SECTION
 - MPT DENOTES MALE PIPE THREAD
FPT DENOTES FEMALE PIPE THREAD
BFW DENOTES BEVELED FOR WELDING
 - + UNIT WEIGHT DOES NOT INCLUDE ACCESSORIES (SEE SEPARATE DRAWINGS FOR ACCESSORIES)
 - 3/4" DIA. MOUNTING HOLES. REFER TO RECOMMENDED STEEL SUPPORT DRAWING
 - MAKE-UP WATER PRESSURE-20 psi MIN, 50 psi MAX
 - *- APPROXIMATE DIMENSIONS DO NOT USE FOR PRE-FABRICATION OF CONNECTING PIPING
 - MAKE-UP IS LOCATED 4 3/4" FROM CONNECTION END



FACE 1
PLAN VIEW



FACE 2



FACE 1

SHIPPING WEIGHT	9760	lbs. +	OPERATING WEIGHT	14620	lbs.	HEAVIEST SECTION WEIGHT	8100	lbs.	NO. OF SHIPPING SECTIONS	2
------------------------	------	---------------	-------------------------	-------	-------------	--------------------------------	------	-------------	---------------------------------	---