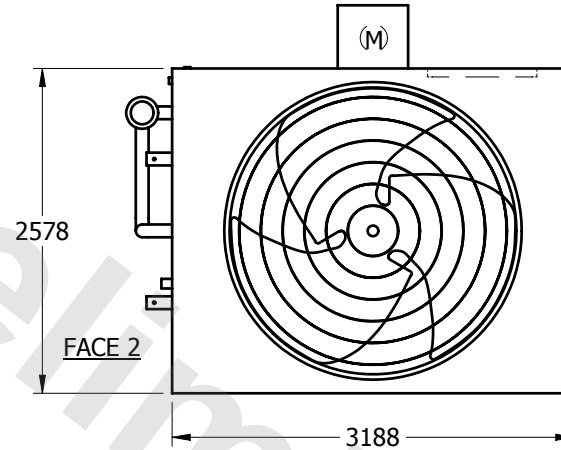


# EVAPCO, INC.

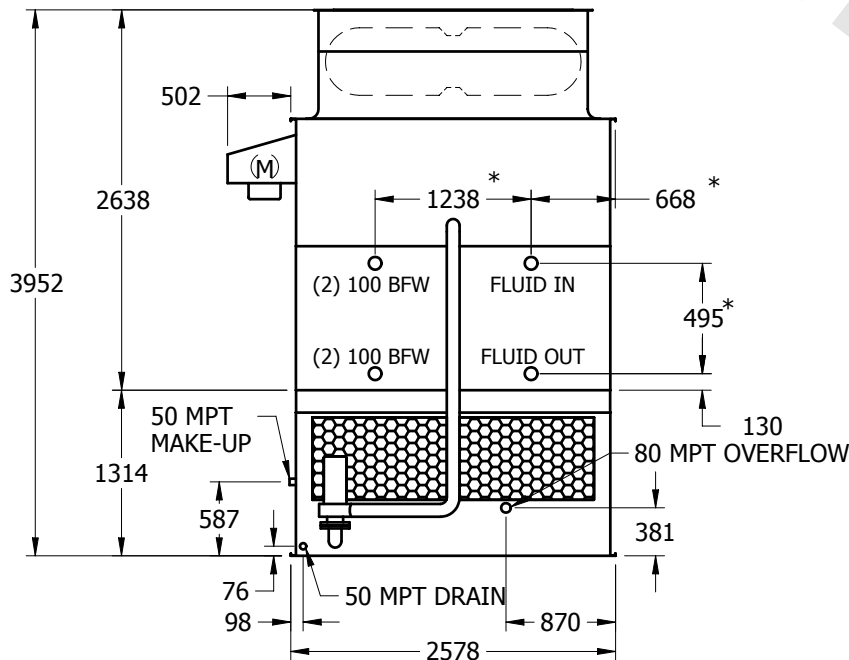


|             |                              |                |  |              |     |               |                  |             |  |             |  |                 |  |
|-------------|------------------------------|----------------|--|--------------|-----|---------------|------------------|-------------|--|-------------|--|-----------------|--|
| <b>UNIT</b> | <b>CLOSED CIRCUIT COOLER</b> | <b>MODEL #</b> |  | <b>SCALE</b> | NTS | <b>DWG. #</b> | W2091106-MRA-SLF | <b>REV.</b> |  | <b>DATE</b> |  | <b>SERIAL #</b> |  |
|-------------|------------------------------|----------------|--|--------------|-----|---------------|------------------|-------------|--|-------------|--|-----------------|--|

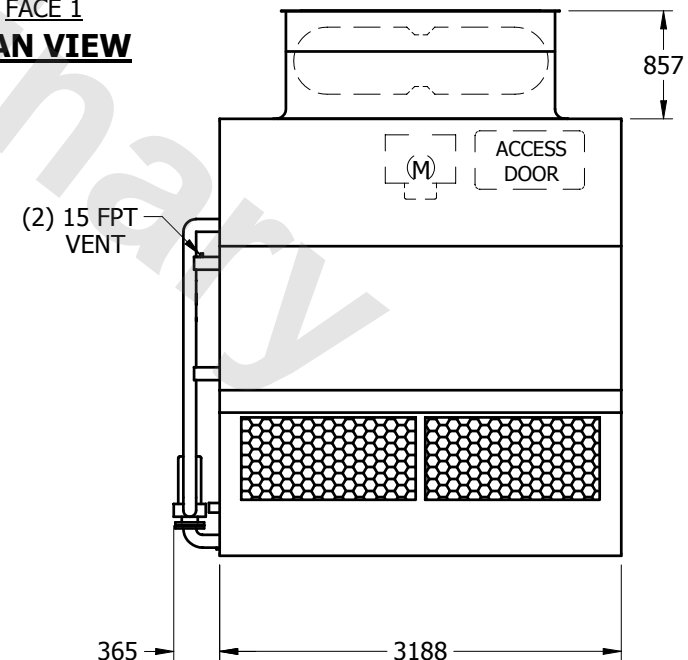
- NOTES:
- (M)- FAN MOTOR LOCATION
  - HEAVIEST SECTION IS UPPER SECTION
  - MPT DENOTES MALE PIPE THREAD  
FPT DENOTES FEMALE PIPE THREAD  
BFW DENOTES BEVELED FOR WELDING
  - + UNIT WEIGHT DOES NOT INCLUDE ACCESSORIES (SEE SEPARATE DRAWINGS FOR ACCESSORIES)
  - 19mm DIA. MOUNTING HOLES. REFER TO RECOMMENDED STEEL SUPPORT DRAWING
  - MAKE-UP WATER PRESSURE-137 kPa MIN, 344 kPa MAX
  - \*- APPROXIMATE DIMENSIONS DO NOT USE FOR PRE-FABRICATION OF CONNECTING PIPING
  - MAKE-UP IS LOCATED 121mm FROM CONNECTION END



FACE 1  
**PLAN VIEW**



FACE 2



FACE 1

|                        |      |             |                         |      |           |                                |      |           |                                 |   |
|------------------------|------|-------------|-------------------------|------|-----------|--------------------------------|------|-----------|---------------------------------|---|
| <b>SHIPPING WEIGHT</b> | 4430 | <b>kg</b> + | <b>OPERATING WEIGHT</b> | 6635 | <b>kg</b> | <b>HEAVIEST SECTION WEIGHT</b> | 3675 | <b>kg</b> | <b>NO. OF SHIPPING SECTIONS</b> | 2 |
|------------------------|------|-------------|-------------------------|------|-----------|--------------------------------|------|-----------|---------------------------------|---|