

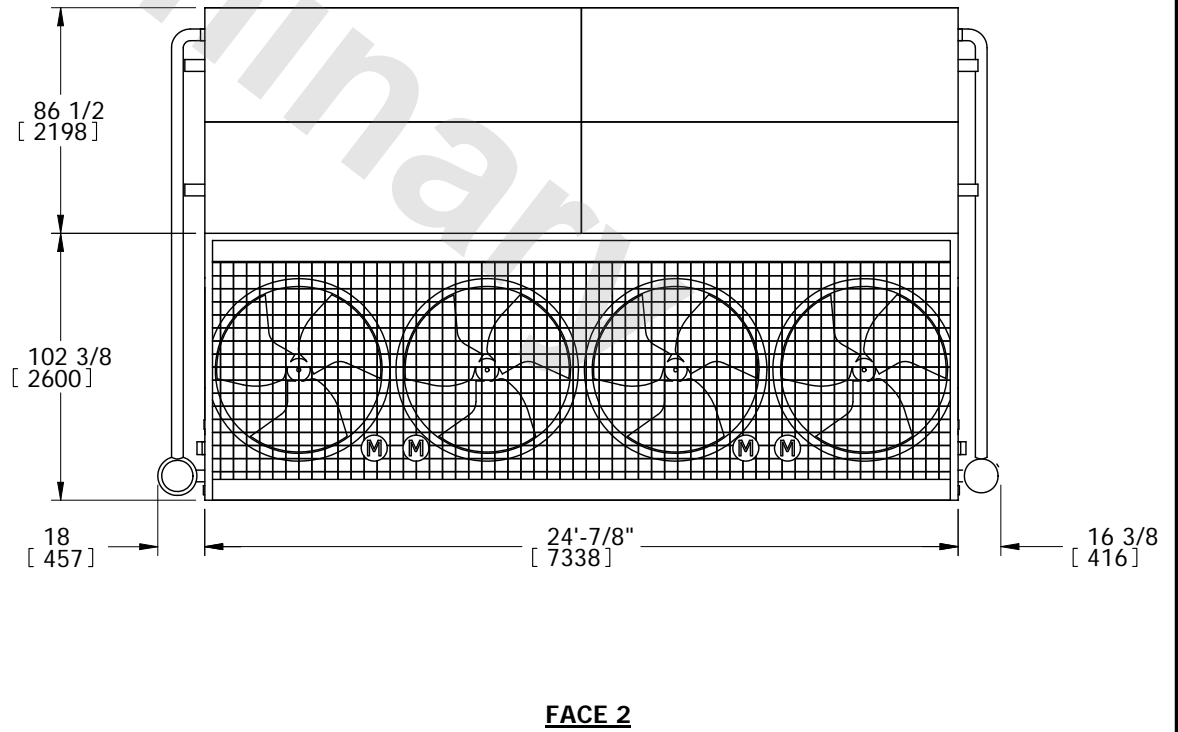
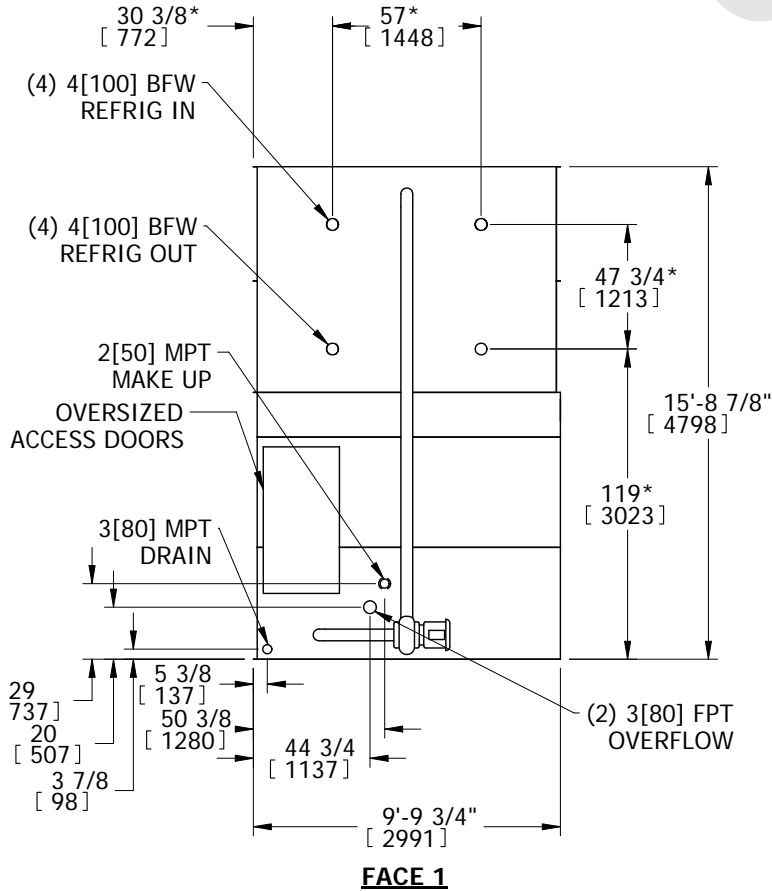
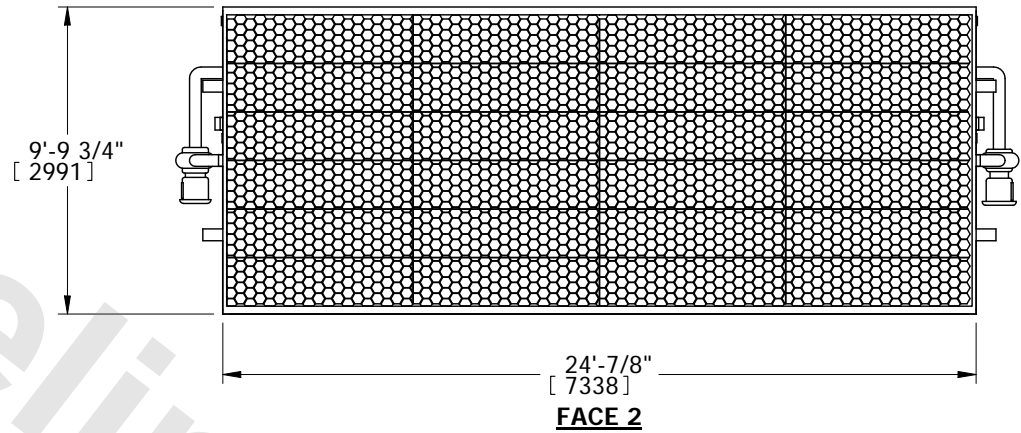
EVAPCO, INC.



| | | | | | | |
|--------------------------------------|---------------------|-----------------|---------------------------|-----------|-------------------|----------|
| UNIT EVAPORATIVE CONDENSER | MODEL # PMCQ-986 | SCALE N.T.S. | DWG. # CQTM2412-DRA-ST | REV. - | DATE 8/15/2022 | SERIAL # |
|--------------------------------------|---------------------|-----------------|---------------------------|-----------|-------------------|----------|

- NOTES:
- (M)- FAN MOTOR LOCATION
 - HEAVIEST SECTION IS UPPER SECTION
 - MPT DENOTES MALE PIPE THREAD
FPT DENOTES FEMALE PIPE THREAD
BFW DENOTES BEVELED FOR WELDING
 - +UNIT WEIGHT DOES NOT INCLUDE ACCESSORIES (SEE ACCESSORY DRAWINGS)
 - 3/4" DIA. MOUNTING HOLES. REFER TO RECOMMENDED STEEL SUPPORT DRAWING.
 - MAKE-UP WATER PRESSURE
20 psi MIN [137 kPa], 50 psi MAX [344 kPa]
 - * -APPROXIMATE DIMENSIONS DO NOT USE FOR PRE-FABRICATION OF CONNECTING PIPING
 - DIMENSIONS LISTED AS FOLLOWS: ENGLISH IN [METRIC] [mm]

**FACE 1
PLAN VIEW**



| | | | |
|---|--|--|-------------------------------|
| SHIPPING WEIGHT 39730 lbs+ [18021] kg+ | OPERATING WEIGHT 48720 lbs+ [22099] kg+ | HEAVIEST SECTION WEIGHT 14370 lbs+ [6518] kg+ | NO. OF SHIPPING SECTIONS 3 |
|---|--|--|-------------------------------|