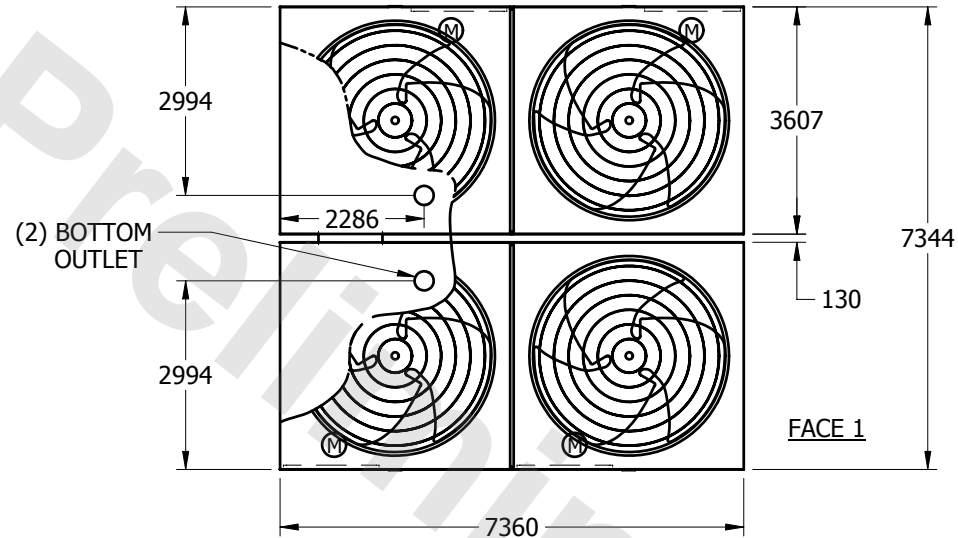


EVAPCO, INC.

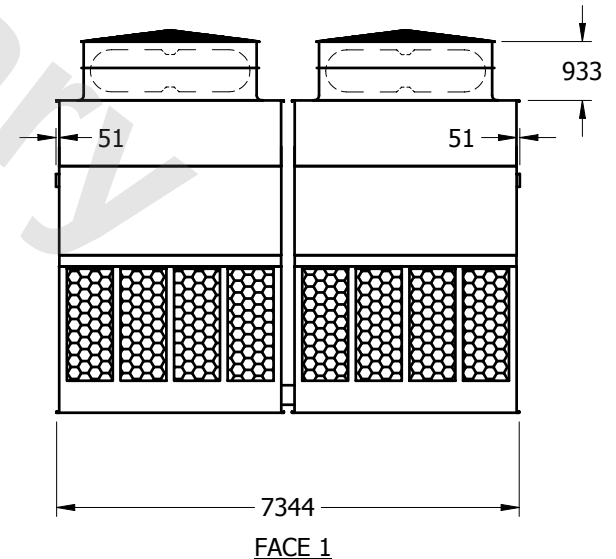
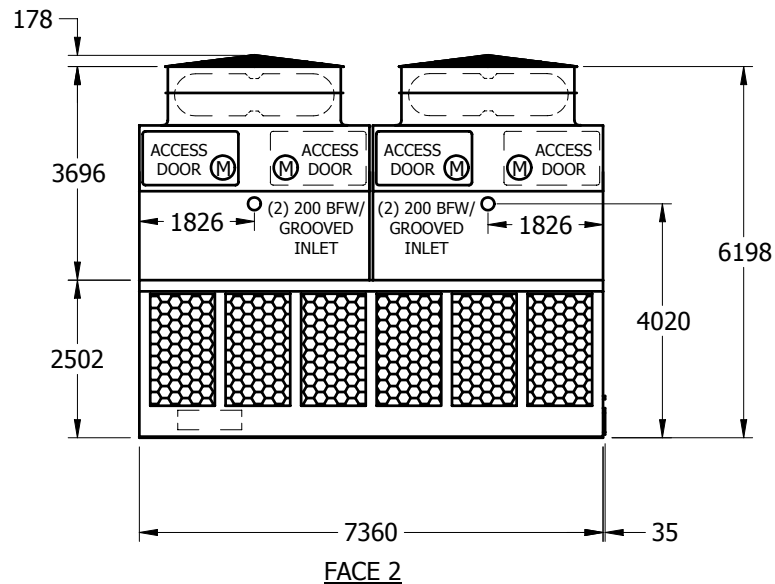


UNIT	COOLING TOWER	MODEL #	eco-ATWB-E 9-6J11	SCALE	NTS	DWG. #	T2242448-MRA-SRL	REV.		DATE	5/10/2026	SERIAL #	
------	----------------------	---------	-------------------	-------	-----	--------	------------------	------	--	------	-----------	----------	--

- NOTES:
1. (M)- FAN MOTOR LOCATION
 2. HEAVIEST SECTION IS UPPER SECTION
 3. MPT DENOTES MALE PIPE THREAD
FPT DENOTES FEMALE PIPE THREAD
BFW DENOTES BEVELED FOR WELDING
 4. + UNIT WEIGHT DOES NOT INCLUDE ACCESSORIES (SEE SEPARATE DRAWINGS FOR ACCESSORIES)
 5. 19mm DIA. MOUNTING HOLES. REFER TO RECOMMENDED STEEL SUPPORT DRAWING



FACE 2
PLAN VIEW



SHIPPING WEIGHT	16105	kg +	OPERATING WEIGHT	21795	kg	HEAVIEST SECTION WEIGHT	3220	kg	NO. OF SHIPPING SECTIONS	6
-----------------	-------	------	------------------	-------	----	-------------------------	------	----	--------------------------	---