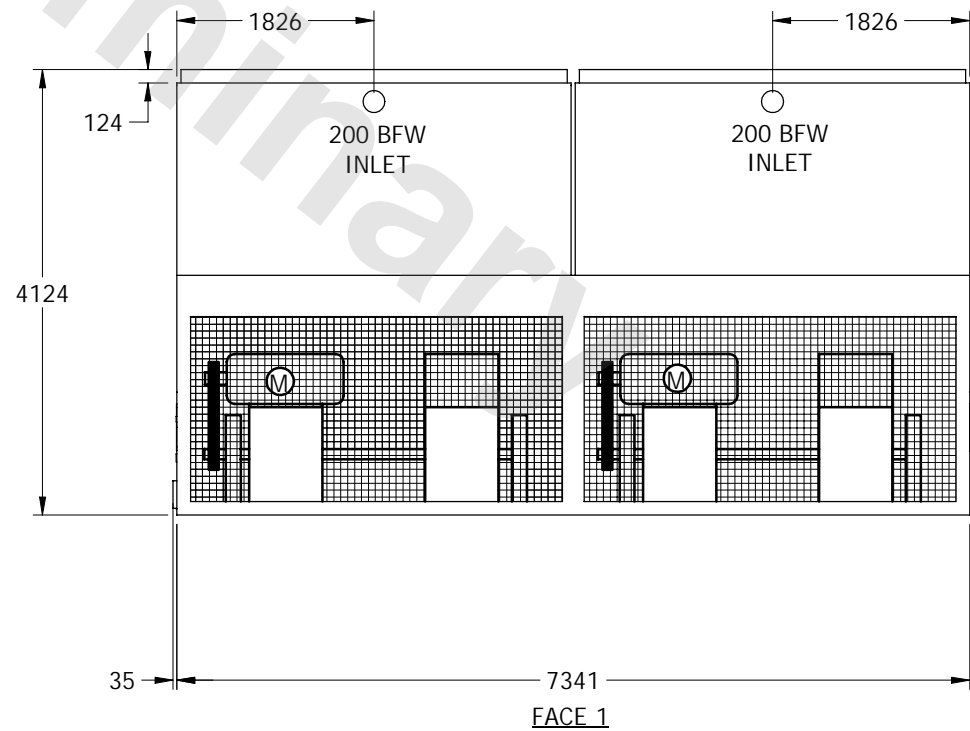
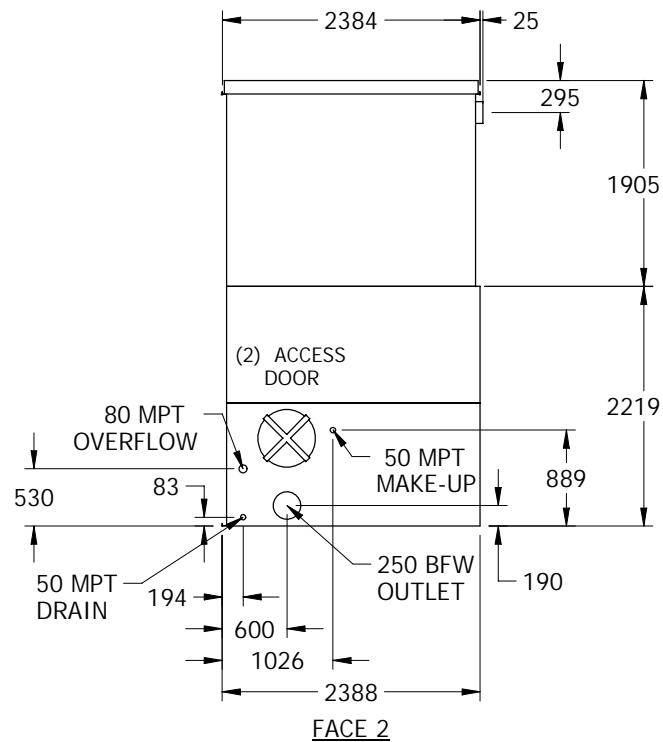
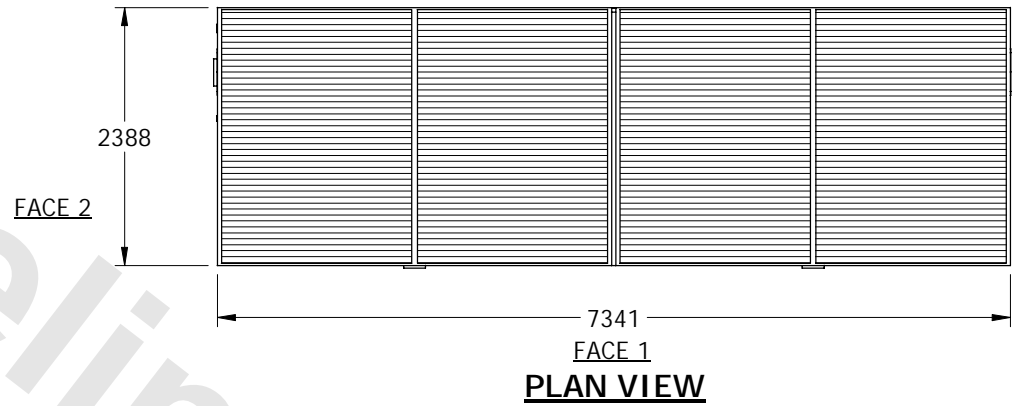


EVAPCO, INC.



UNIT	COOLING TOWER	MODEL #	PMC-976E	SCALE	NTS	DWG. #	TLOP2424-MRD-ST	REV.		DATE	5/18/2022	SERIAL #	
------	---------------	---------	----------	-------	-----	--------	-----------------	------	--	------	-----------	----------	--

- NOTES:
1. (M) - FAN MOTOR LOCATION
 2. MAKE-UP WATER PRESSURE IS 137 kPa MIN. 344 kPa MAX.
 3. MPT DENOTES MALE PIPE THREAD
FPT DENOTES FEMALE PIPE THREAD
BFW DENOTES BEVELED FOR WELDING
 4. + UNIT WEIGHT DOES NOT INCLUDE ACCESSORIES (SEE SEPARATE DRAWINGS FOR ACCESSORIES)
 5. 19 mm DIA. MOUNTING HOLES. REFER TO RECOMMENDED STEEL SUPPORT DRAWING
 6. HEAVIEST SECTION IS LOWER SECTION



SHIPPING WEIGHT	5375	kg +	OPERATING WEIGHT	9210	kg	HEAVIEST SECTION WEIGHT	3220	kg	NO. OF SHIPPING SECTIONS	3
-----------------	------	------	------------------	------	----	-------------------------	------	----	--------------------------	---