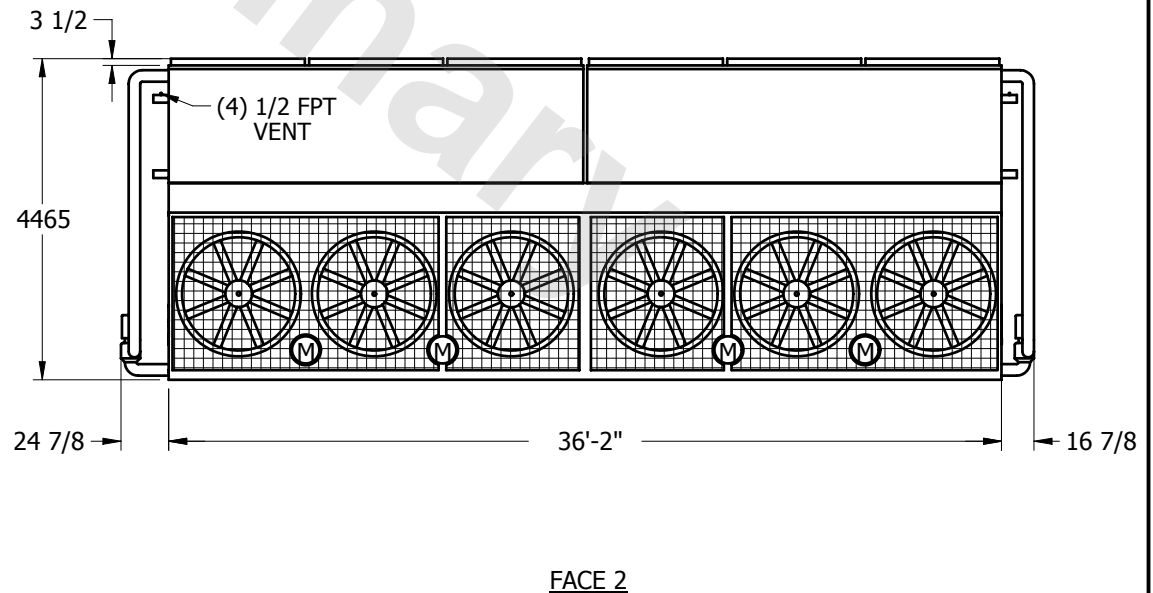
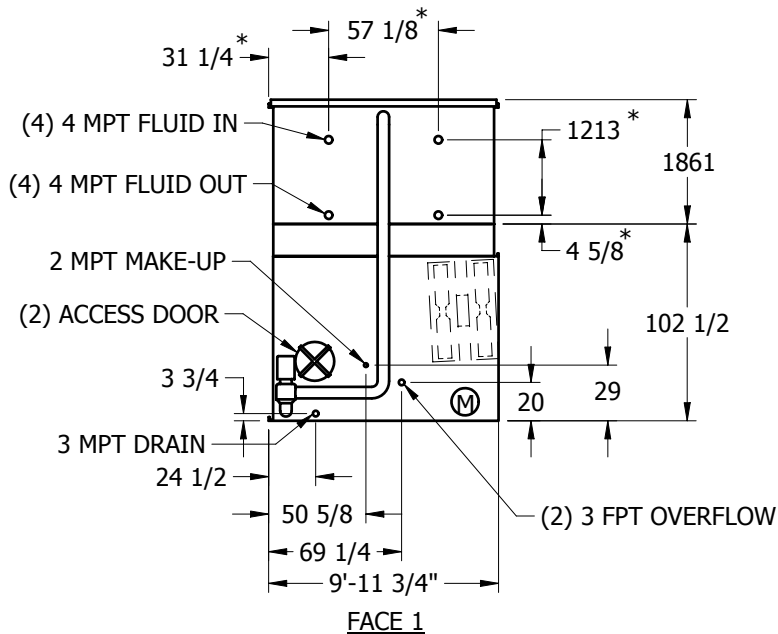
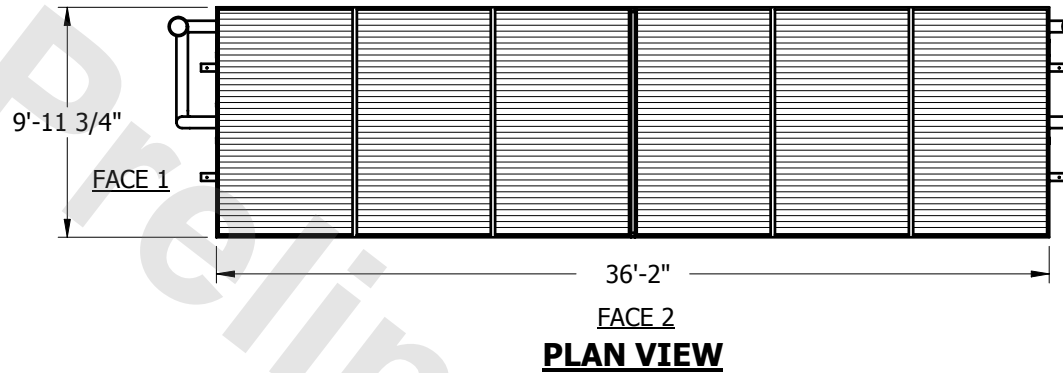


# EVAPCO, INC.



<b>UNIT</b>	<b>CLOSED CIRCUIT COOLER</b>	<b>MODEL #</b>	PMC-976E	<b>SCALE</b>	NTS	<b>DWG. #</b>	WP103612-MRB-ST	<b>REV.</b>		<b>DATE</b>	5/18/2022	<b>SERIAL #</b>	
-------------	------------------------------	----------------	----------	--------------	-----	---------------	-----------------	-------------	--	-------------	-----------	-----------------	--

- NOTES:
1. (M) - FAN MOTOR LOCATION
  2. HEAVIEST SECTION IS UPPER SECTION
  3. MPT DENOTES MALE PIPE THREAD  
FPT DENOTES FEMALE PIPE THREAD  
BFW DENOTES BEVELED FOR WELDING
  4. † UNIT WEIGHT DOES NOT INCLUDE ACCESSORIES (SEE SEPARATE DRAWINGS FOR ACCESSORIES)
  5. 3/4" DIA. MOUNTING HOLES. REFER TO RECOMMENDED STEEL SUPPORT DRAWING
  6. MAKE-UP WATER PRESSURE-20 psi MIN, 50 psi MAX
  7. \* - APPROXIMATE DIMENSIONS DO NOT USE FOR PRE-FABRICATION OF CONNECTING PIPING.



<b>SHIPPING WEIGHT</b>	26335	<b>lbs. †</b>	<b>OPERATING WEIGHT</b>	39685	<b>lbs.</b>	<b>HEAVIEST SECTION WEIGHT</b>	9920	<b>lbs.</b>	<b>NO. OF SHIPPING SECTIONS</b>	3
------------------------	-------	---------------	-------------------------	-------	-------------	--------------------------------	------	-------------	---------------------------------	---