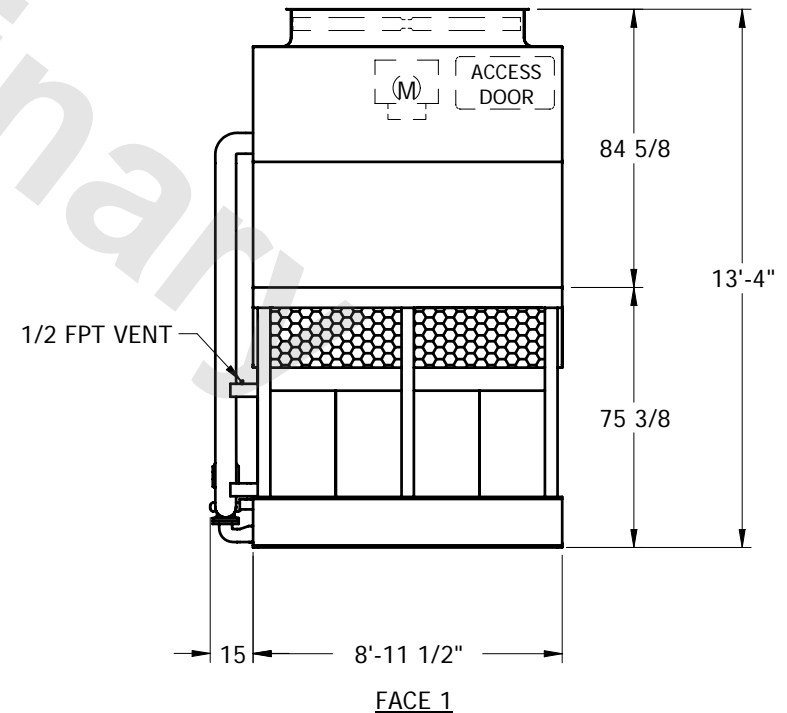
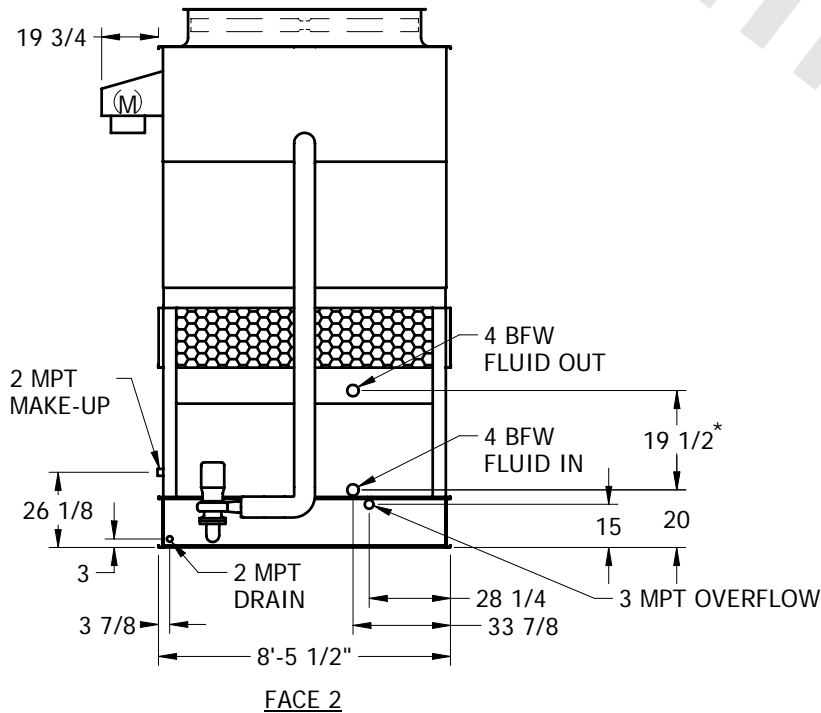
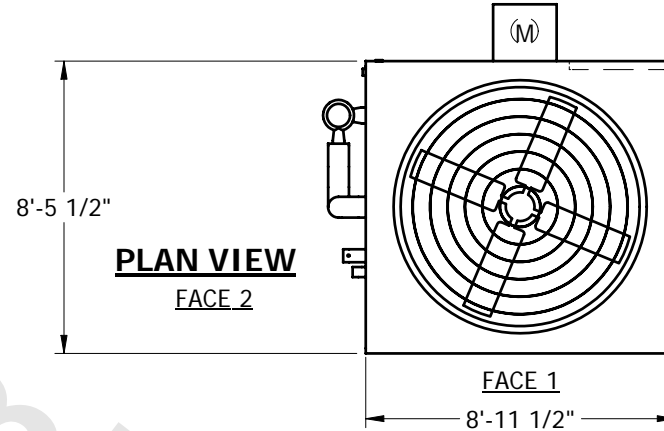


EVAPCO, INC.



| | | | | | | | | | | | | | |
|------|------------------------------|---------|----------|-------|-----|--------|-------------------|------|--|------|-----------|----------|--|
| UNIT | CLOSED CIRCUIT COOLER | MODEL # | PMC-976E | SCALE | NTS | DWG. # | WX09092406-ERB-ST | REV. | | DATE | 5/18/2022 | SERIAL # | |
|------|------------------------------|---------|----------|-------|-----|--------|-------------------|------|--|------|-----------|----------|--|

- NOTES:
1. (M)- FAN MOTOR LOCATION
 2. HEAVIEST SECTION IS LOWER SECTION
 3. MPT DENOTES MALE PIPE THREAD
FPT DENOTES FEMALE PIPE THREAD
BFW DENOTES BEVELED FOR WELDING
 4. + UNIT WEIGHT DOES NOT INCLUDE ACCESSORIES (SEE SEPARATE DRAWINGS FOR ACCESSORIES)
 5. 3/4" DIA. MOUNTING HOLES. REFER TO RECOMMENDED STEEL SUPPORT DRAWING
 6. MAKE-UP WATER PRESSURE-20 psi MIN, 50 psi MAX
 7. * - APPROXIMATE DIMENSIONS DO NOT USE FOR PRE-FABRICATION OF CONNECTING PIPING.
 8. MAKE-UP IS LOCATED 4 3/4" FROM CONNECTION END



| | | | | | | | | | | |
|-----------------|------|--------|------------------|-------|------|-------------------------|------|------|--------------------------|---|
| SHIPPING WEIGHT | 7180 | lbs. + | OPERATING WEIGHT | 10530 | lbs. | HEAVIEST SECTION WEIGHT | 4450 | lbs. | NO. OF SHIPPING SECTIONS | 2 |
|-----------------|------|--------|------------------|-------|------|-------------------------|------|------|--------------------------|---|