

CONFIDENTIAL

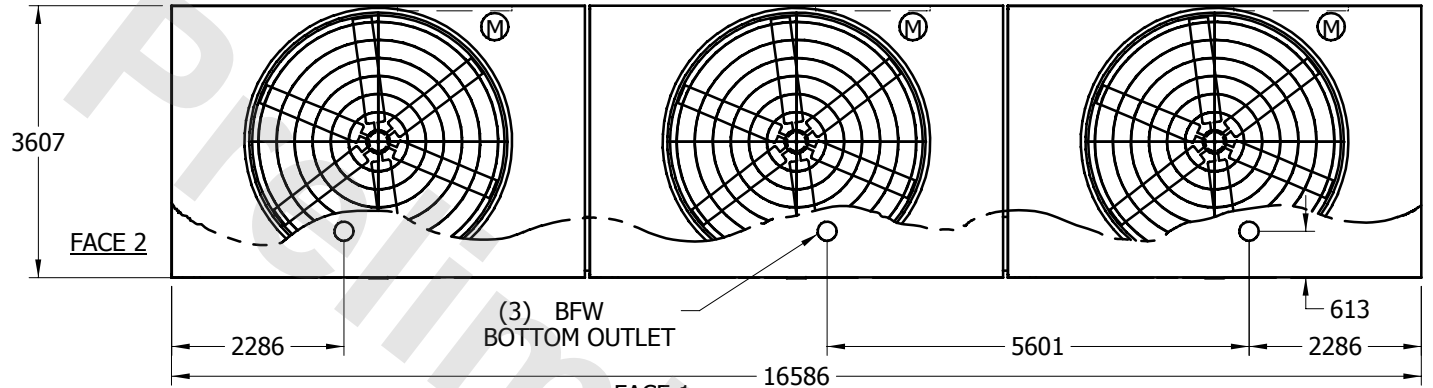
This document is the property of Evapco, Inc. It should not be copied or disclosed without prior written authorization.

EVAPCO, INC.

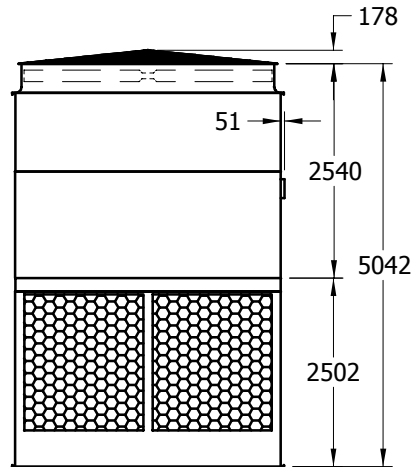


UNIT COOLING TOWER	MODEL # PMC-983E	SCALE NTS	DWG. # T2125424-MRB-RS	REV.	DATE 10/23/2021	SERIAL #
-------------------------------------	----------------------------	---------------------	----------------------------------	-------------	---------------------------	-----------------

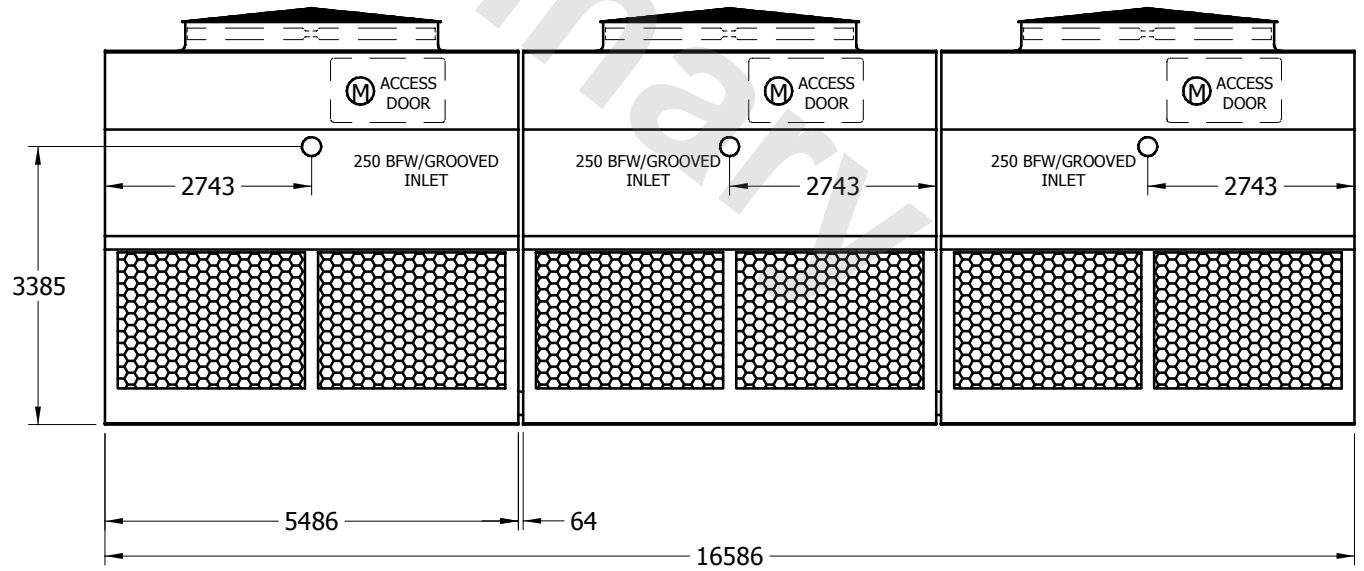
- NOTES:
1. (M) - FAN MOTOR LOCATION
 2. HEAVIEST SECTION IS UPPER SECTION
 3. MPT DENOTES MALE PIPE THREAD
FPT DENOTES FEMALE PIPE THREAD
BFW DENOTES BEVELED FOR WELDING
 4. + UNIT WEIGHT DOES NOT INCLUDE ACCESSORIES (SEE SEPARATE DRAWINGS FOR ACCESSORIES)
 5. 19mm DIA. MOUNTING HOLES. REFER TO RECOMMENDED STEEL SUPPORT DRAWING



FACE 1
PLAN VIEW



FACE 2



FACE 1

SHIPPING WEIGHT 14995	kg +	OPERATING WEIGHT 20140	kg	HEAVIEST SECTION WEIGHT 3255	kg	NO. OF SHIPPING SECTIONS 6
---------------------------------	-------------	----------------------------------	-----------	--	-----------	--------------------------------------