

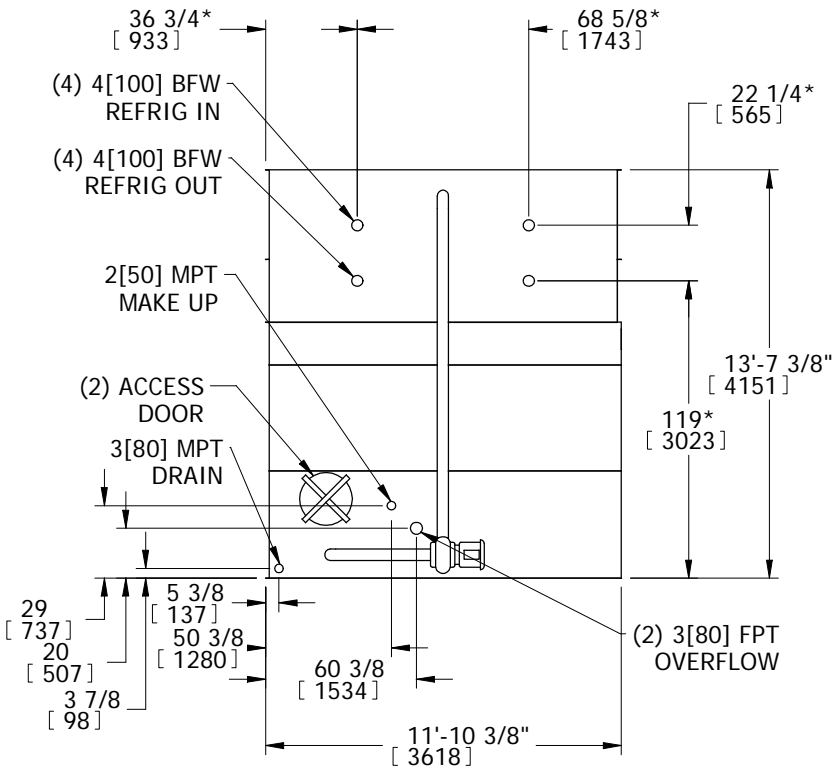
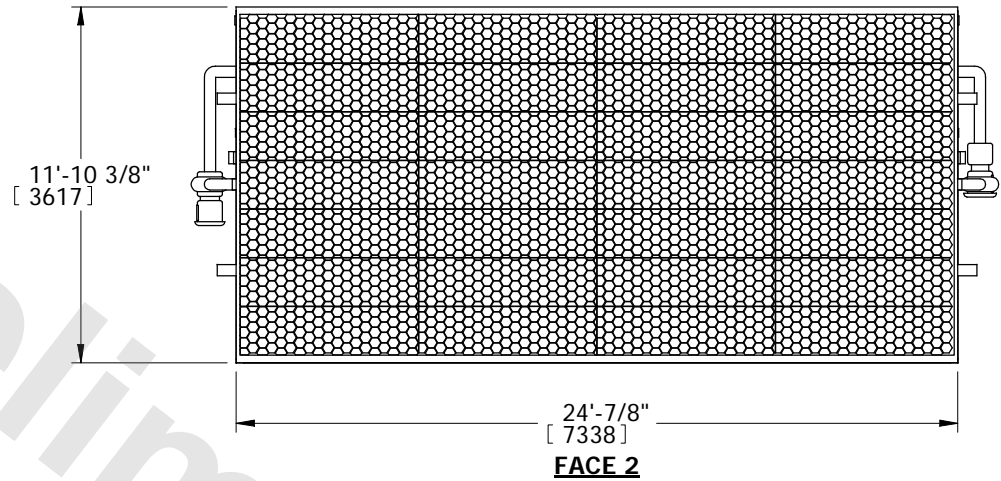
EVAPCO, INC.



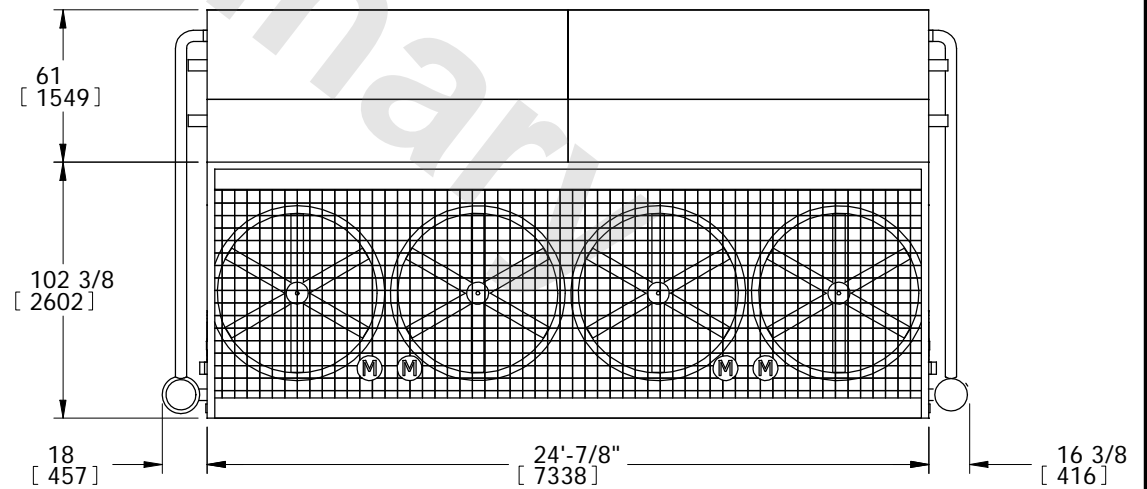
| | | | | | | |
|--------------------------------------|---------------------|-----------------|---------------------------|-----------|-------------------|----------|
| UNIT EVAPORATIVE CONDENSER | MODEL # PMC-989E | SCALE N.T.S. | DWG. # CE122406-DRC-ST | REV. - | DATE 10/6/2024 | SERIAL # |
|--------------------------------------|---------------------|-----------------|---------------------------|-----------|-------------------|----------|

- NOTES:
- (M)- FAN MOTOR LOCATION
 - HEAVIEST SECTION IS UPPER SECTION
 - MPT DENOTES MALE PIPE THREAD
FPT DENOTES FEMALE PIPE THREAD
BFW DENOTES BEVELED FOR WELDING
 - +UNIT WEIGHT DOES NOT INCLUDE ACCESSORIES (SEE ACCESSORY DRAWINGS)
 - 3/4" DIA. MOUNTING HOLES. REFER TO RECOMMENDED STEEL SUPPORT DRAWING.
 - MAKE-UP WATER PRESSURE
20 psi MIN [137 kPa], 50 psi MAX [344 kPa]
 - * -APPROXIMATE DIMENSIONS DO NOT USE FOR PRE-FABRICATION OF CONNECTING PIPING
 - DIMENSIONS LISTED AS FOLLOWS: ENGLISH IN [METRIC] [mm]

**FACE 1
PLAN VIEW**



FACE 1



FACE 2

| | | | |
|---|--|--|-------------------------------|
| SHIPPING WEIGHT 29950 lbs+ [13585] kg+ | OPERATING WEIGHT 41190 lbs+ [18683] kg+ | HEAVIEST SECTION WEIGHT 10040 lbs+ [4554] kg+ | NO. OF SHIPPING SECTIONS 3 |
|---|--|--|-------------------------------|