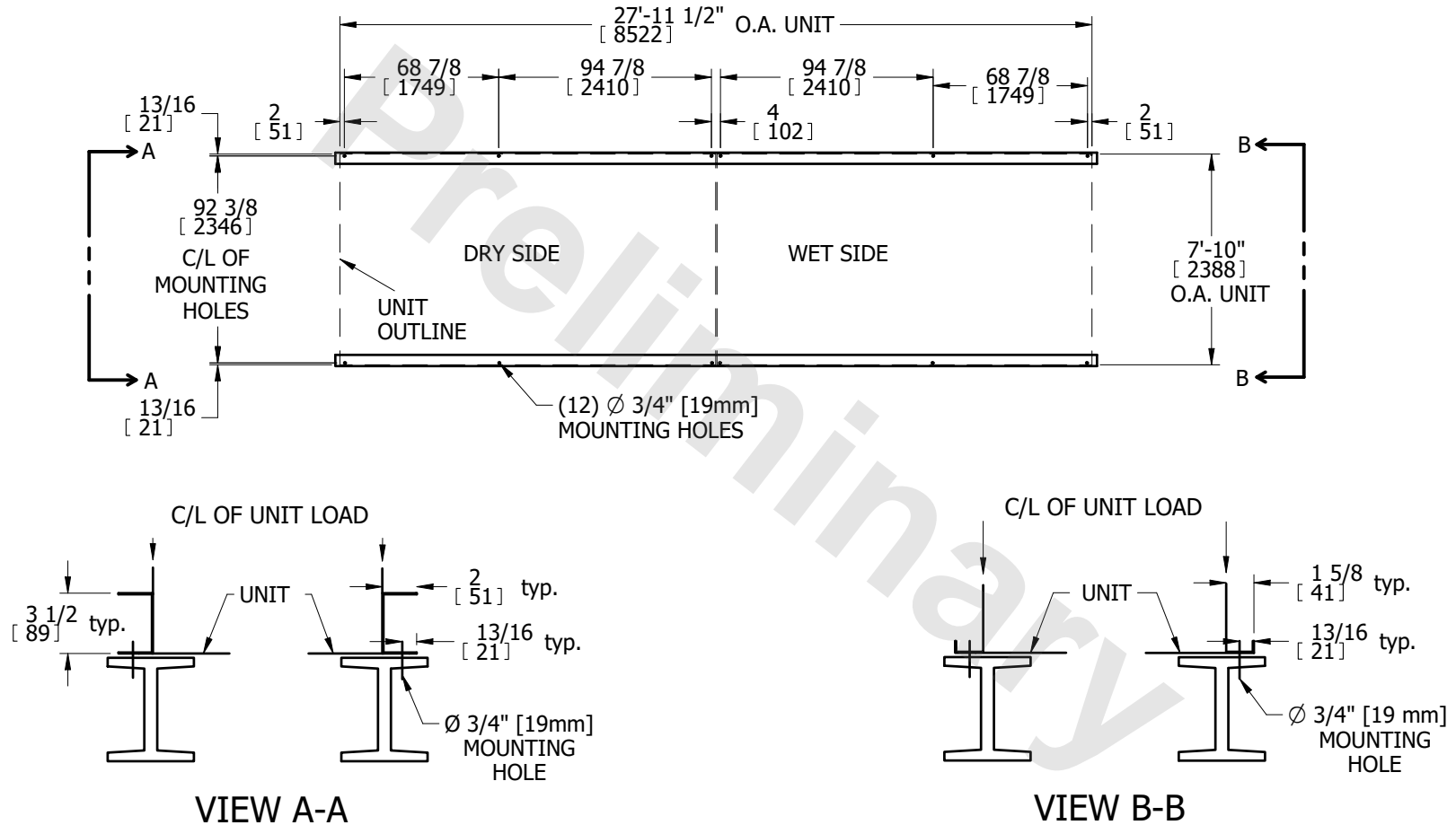


\$\$IMGLOGO

TITLE STEEL SUPPORT CONFIGURATION

UNIT: 2.4mx14 WET/2.4mx14 DRY COOLER

DWG. # SLWDW112112-DB



NOTES:

1. BEAMS SHOULD BE SIZED IN ACCORDANCE WITH ACCEPTED STRUCTURAL PRACTICES.
2. BEAMS SHOULD BE CONTINUOUS AND SUPPORT THE FULL LENGTH OF THE UNIT.
3. IN SOME CASES, THERE MAY BE SIGNIFICANT WEIGHT DIFFERENCES BETWEEN THE WET SIDE AND THE DRY SIDE. WHEN DETERMINING THE LOAD DISTRIBUTION ALONG THE BEAM, THE DRY SIDE AND WET SIDE SHOULD BE EVALUATED SEPARATELY. DEFLECTION MAY BE CALCULATED USING 55% OF EACH SECTION'S OPERATING WEIGHT AS AN EVENLY DISTRIBUTED LOAD OVER THE LENGTH OF THE RESPECTIVE SECTION. SEE CERTIFIED PRINT FOR OPERATING WEIGHT.
4. MAXIMUM BEAM DEFLECTION IS LIMITED TO 1/360 OF UNIT LENGTH, NOT EXCEEDING 1/2" [13mm].
5. BEAMS AND ANCHOR HARDWARE ARE TO BE FURNISHED BY OTHERS. ANCHOR HARDWARE SHOULD BE 5/8" [16mm].
6. THE BEAM SURFACE SHOULD BE LEVEL. DO NOT ATTEMPT TO LEVEL THE UNIT BY PLACING SHIMS BETWEEN THE UNIT AND THE BEAM.
7. THE UNIT SHOULD BE POSITIONED ON THE BEAM WITH ANCHORING HARDWARE AS SHOWN IN VIEW A-A AND VIEW B-B.
8. WHEN VIBRATION ISOLATION IS REQUIRED, THE VIBRATION ISOLATORS (BY OTHERS) MUST BE LOCATED UNDER THE SUPPORT BEAMS.
9. CONTACT THE FACTORY IF AN ALTERNATE SUPPORT CONFIGURATION IS REQUIRED.