

CONFIDENTIAL

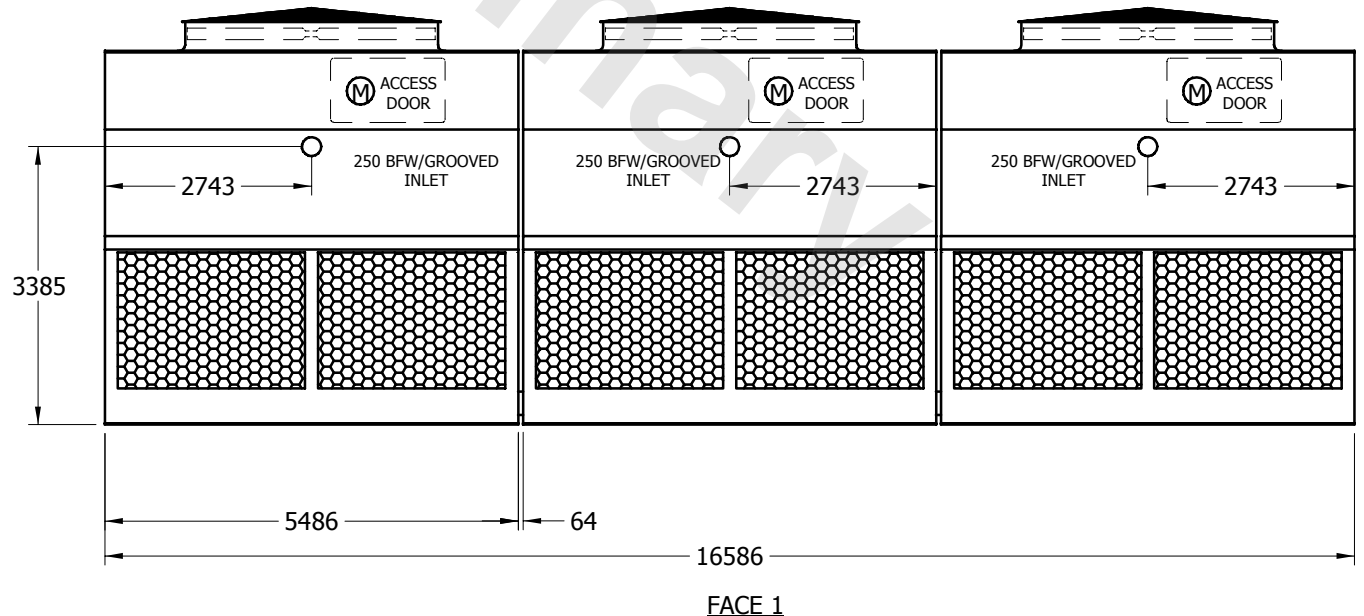
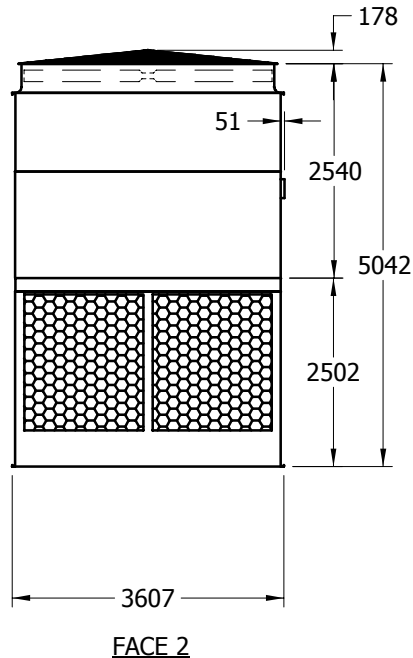
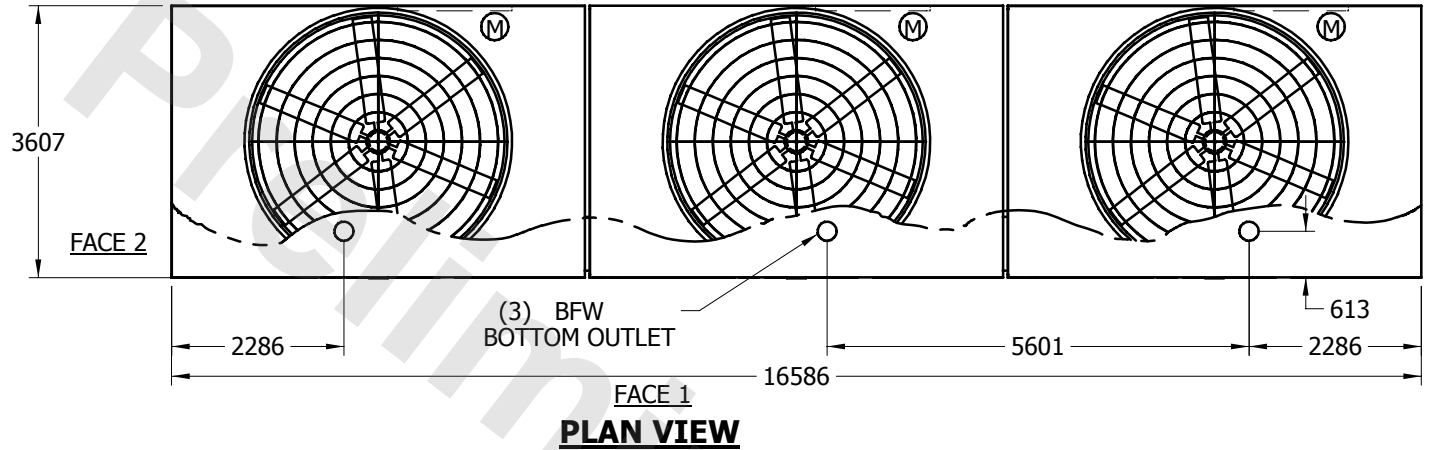
This document is the property of Evapco, Inc. It should not be copied or disclosed without prior written authorization.

EVAPCO, INC.



UNIT COOLING TOWER	MODEL # PMC-983E	SCALE NTS	DWG. # T2125424-MRB-RS	REV.	DATE 1/21/2022	SERIAL #
-------------------------------------	----------------------------	---------------------	----------------------------------	-------------	--------------------------	-----------------

- NOTES:
1. (M)- FAN MOTOR LOCATION
 2. HEAVIEST SECTION IS UPPER SECTION
 3. MPT DENOTES MALE PIPE THREAD
FPT DENOTES FEMALE PIPE THREAD
BFW DENOTES BEVELED FOR WELDING
 4. + UNIT WEIGHT DOES NOT INCLUDE ACCESSORIES (SEE SEPARATE DRAWINGS FOR ACCESSORIES)
 5. 19mm DIA. MOUNTING HOLES. REFER TO RECOMMENDED STEEL SUPPORT DRAWING



SHIPPING WEIGHT 14995	kg +	OPERATING WEIGHT 20140	kg	HEAVIEST SECTION WEIGHT 3255	kg	NO. OF SHIPPING SECTIONS 6
---------------------------------	-------------	----------------------------------	-----------	--	-----------	--------------------------------------