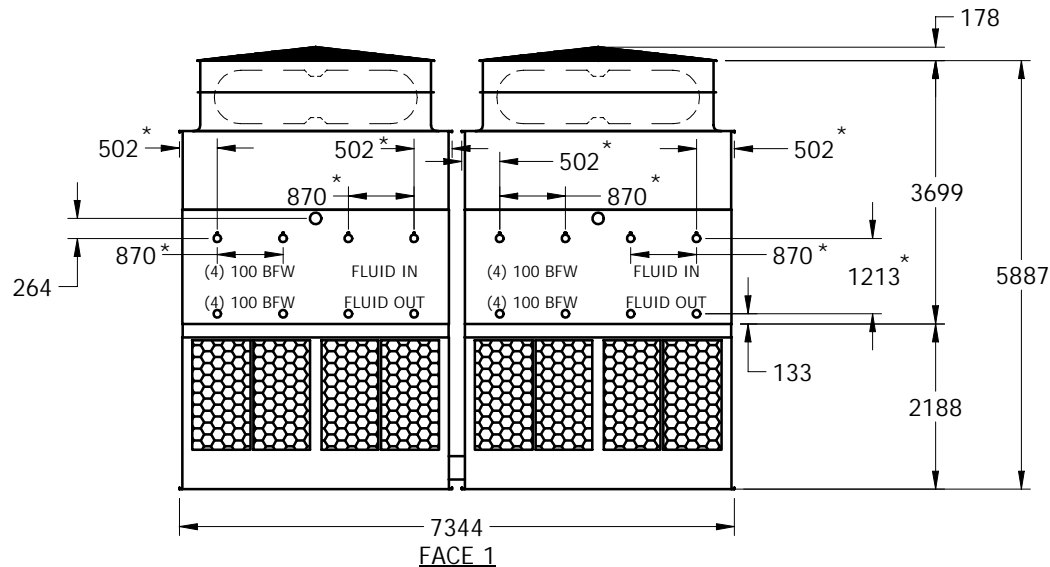
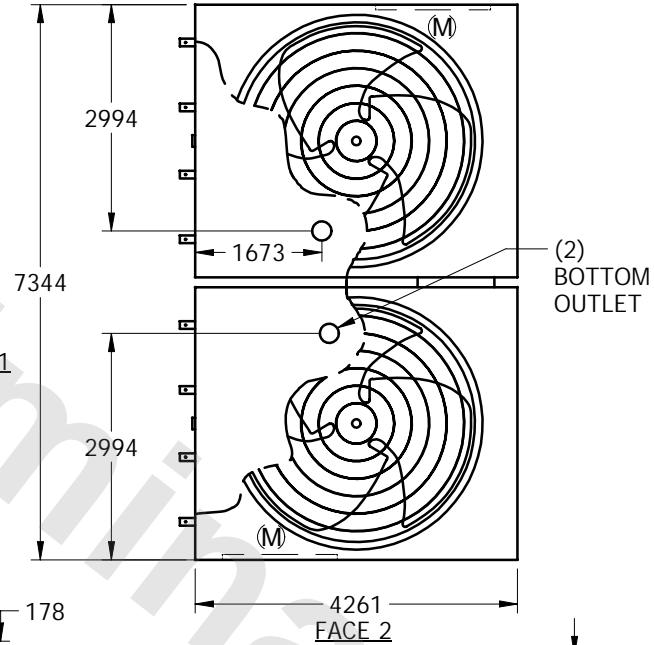


EVAPCO, INC.

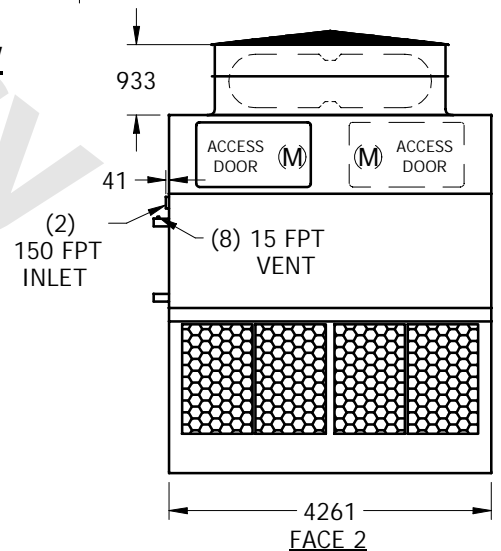


UNIT	CLOSED CIRCUIT COOLER	MODEL #	LSC-400E	SCALE	NTS	DWG. #	W2241412-MRC-SLHR	REV.		DATE	6/17/2025	SERIAL #	
------	------------------------------	---------	-----------------	-------	------------	--------	--------------------------	------	--	------	------------------	----------	--

- NOTES:
- (M)- FAN MOTOR LOCATION
 - HEAVIEST SECTION IS UPPER SECTION
 - MPT DENOTES MALE PIPE THREAD
FPT DENOTES FEMALE PIPE THREAD
BFW DENOTES BEVELED FOR WELDING
 - + UNIT WEIGHT DOES NOT INCLUDE ACCESSORIES (SEE SEPARATE DRAWINGS FOR ACCESSORIES)
 - 19mm DIA. MOUNTING HOLES. REFER TO RECOMMENDED STEEL SUPPORT DRAWING
 - THE SPRAY PUMP SHOULD BE SIZED FOR 114 L/S AND 17 kPa AT THE INLET CONNECTION
 - *- APPROXIMATE DIMENSIONS DO NOT USE FOR PRE-FABRICATION OF CONNECTING PIPING



PLAN VIEW



SHIPPING WEIGHT	24175	kg +	OPERATING WEIGHT	32365	kg	HEAVIEST SECTION WEIGHT	10745	kg	NO. OF SHIPPING SECTIONS	4
-----------------	-------	------	------------------	-------	----	-------------------------	-------	----	--------------------------	---